

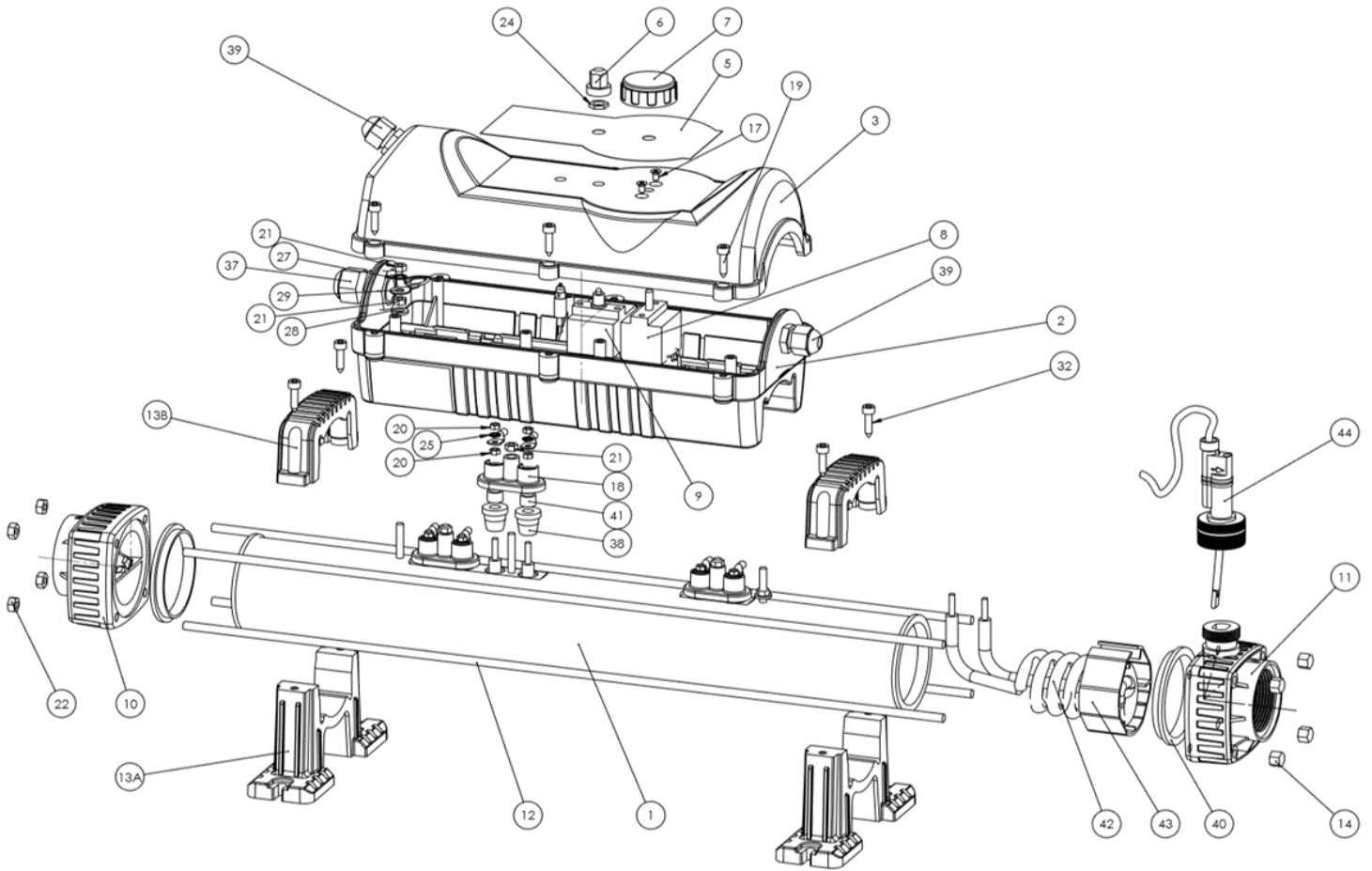
Flowline 2

SPARE PART LISTS

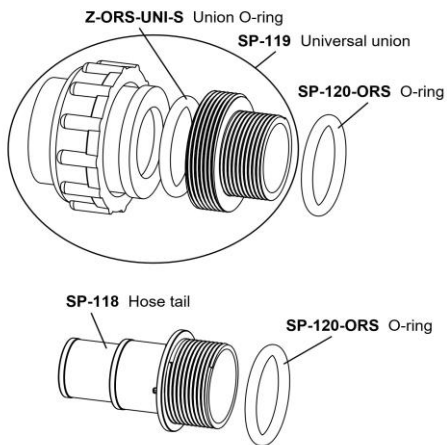


ELECR0
ENGINEERING

Flowline 2



Water connections:



| Item No.: | Description: | Power Output: | Pcs/Unit: | Part Code: | GBP RRP (£) | EUR RRP (€) |
|---|--|--|-----------|------------------------------|-------------|-------------|
| 1 | Flow tube | All | 1 | See Tab.2 | - | - |
| 2 | Electrical Enclosure Base | All | 1 | Z-IM-E2-BC | 20.00 | 22.40 |
| 3 | FlowLine Front Cover | All | 1 | Z-IM-E2-FLO-TC | 22.00 | 24.64 |
| 5 | Ops Panel Overlay | All | 1 | Z-LAB-FL | 12.50 | 14.00 |
| 6 | Manual reset button cover | All | 1 | Z-MIS-HLS-CVR | 7.25 | 8.12 |
| 7 | Control Thermostat Dial | All | 1 | Z-IM-OC-ANA | 7.50 | 8.40 |
| 8 | Analogue Control Thermostat | All | 1 | SP-MIS-CS | 41.75 | 46.76 |
| 9 | High Limiting Safety Thermal Cut Out | All | 1 | SP-MIS-HLS | 46.50 | 52.08 |
| 10 | Left End Fitting (NON F/S) | All | 1 | SP-117 | 24.50 | 27.44 |
| 11 | Right End Fitting (F/S) | All | 1 | SP-117B | 24.50 | 27.44 |
| 12 | M6 Tie Bar | up to 12-kW Single Phase 230V | 4 | Z-STU-443 | 9.00 | 10.08 |
| | | 15-kW & 18-kW Single Phase All 3-Phase | 4 | Z-STU-573 | 10.00 | 11.20 |
| 13A | Foot Lower | All | 2 | Z-IM-E2-FL | 11.50 | 12.88 |
| 13B | Foot Upper | All | 2 | Z-IM-E2-FU | 5.00 | 5.60 |
| 14 | M6 Dome / Cap Nut | All | 4 | Z-FIX-M6CAP | 5.25 | 5.88 |
| 17 | M4x6mm Screw | All | 2 | Z-FIX-M4X6CS | 1.50 | 1.68 |
| 18 | Element Bridge | up to 6-kW Single Phase | 1 | Z-IM-EL-BRI | 5.00 | 5.60 |
| | | 9-kW & 12-kW Single Phase | 2 | | | |
| | | 15-kW & 18-kW Single Phase All 3-Phase | 3 | | | |
| 19 | Enclosure Screws | All | 6 | Z-FIX-M4.8x19STS-SC | 5.25 | 5.88 |
| 20 | M4 Hex Nut | up to 6-kW Single Phase | 2 | Z-FIX-M4HEX | 4.00 | 4.48 |
| | | 9-kW & 12-kW Single Phase | 4 | | | |
| | | 15-kW & 18-kW Single Phase All 3-Phase | 6 | | | |
| 21 | M5 Hex Nut | up to 6-kW Single Phase | 1 | Z-FIX-M5HEX | 5.25 | 5.88 |
| | | 9-kW & 12-kW Single Phase | 2 | | | |
| | | 15-kW & 18-kW Single Phase All 3-Phase | 3 | | | |
| 22 | M6 Hex Nut | All | 4 | Z-FIX-M6HEX | 5.25 | 5.88 |
| 24 | M8 Hex Nut | All | 1 | Supplied With SP-MIS-HLS | 46.50 | 52.08 |
| 25 | M4 Locking Washer | up to 6-kW Single Phase | 2 | Z-FIX-M4LW | 1.50 | 1.68 |
| | | 9-kW & 12-kW Single Phase | 4 | | | |
| | | 15-kW & 18-kW Single Phase All 3-Phase | 6 | | | |
| 27 | M5 Locking Washer | All | 2 | Z-FIX-M5LW | 5.25 | 5.88 |
| 28 | M6 Flat Washer | All | 2 | Z-FIX-M6FW | 5.25 | 5.88 |
| 29 | Earth Terminal | All | 2 | Z-CON-YR53 | 7.25 | 8.12 |
| 32 | Foot Screws | All | 4 | Z-FIX-M4.8x19STS-SC | 5.25 | 5.88 |
| 37 | PG-21 Cable Entry Gland (Inc Back Nut) | All | 1 | Z-CON-PG21BK + Z-CON-PG21NUT | 17.25 | 19.32 |
| 38 | Element Ferrule (2pcs per Kit/Element) | up to 6-kW Single Phase | 2 | Z-IM-EL-FER | 7.50 | 8.40 |
| | | 9-kW & 12-kW Single Phase | 4 | | | |
| | | 15-kW & 18-kW Single Phase All 3-Phase | 6 | | | |
| 39 | PG-9 Cable Entry Gland (Inc Back Nut) | All | 2 | Z-CON-PG9BK | 7.50 | 8.40 |
| 40 | End Fitting Gasket | All | 2 | SP-117-GSK | 3.50 | 3.92 |
| 41 | Element Stepped Washer (2pcs per Kit) | up to 6-kW Single Phase | 2 | Z-IM-EL-SW | 2.00 | 2.24 |
| | | 9-kW & 12-kW Single Phase | 4 | | | |
| | | 15-kW & 18-kW Single Phase All 3-Phase | 6 | | | |
| 42 | Heating Element | All | 1, 2, 3 | See Tab.3 | - | - |
| 43 | Element Support (1pc per kit) | up to 6-kW Single Phase | 2 | Z-IM-EL-SUP | 5.00 | 5.60 |
| | | 9-kW & 12-kW Single Phase | 4 | | | |
| | | 15-kW & 18-kW Single Phase All 3-Phase | 6 | | | |
| 44 | Flow Switch | up to 3-kW | 1 | SP-107-FL-A | 38.75 | 43.40 |
| | | 4-kW to 6-kW | 1 | SP-107-FL-B | 38.75 | 43.40 |
| | | 9-kW & greater | 1 | SP-107-FL-C | 38.75 | 43.40 |
| 1.5" BSP Hose Tail for 1.5"/1.25" Flexible Pipe | | All | 2 | SP-118 | 10.50 | 11.76 |
| 1.5" BSP Universal Union for 1.5"/50-mm Pipe | | All | 2 | SP-119 | 16.00 | 17.92 |
| O-Rings (2 pcs in bag) | | All | 1 | SP-120-ORS | 2.00 | 2.24 |
| 44mm x 6mm Union O-Ring EPDM Shore 70 | | All | 2 | Z-ORS-UNI-S | 3.75 | 4.20 |

Table 1. Replacement Tank Assembly

| Single Phase Power Output: | Titanium Flow tube with Titanium Heating Element Part Code: | GBP RRP (£) | EUR RRP (€) | Description: |
|----------------------------|---|-------------|-------------|---|
| 2-kW | SP-TA-2-Ti | 277.25 | 310.52 | 2-kW 500-mm Replacement Tank Assembly |
| 3-kW | SP-TA-3-Ti | 286.5 | 320.88 | 3-kW 500-mm Replacement Tank Assembly |
| 4.5-kW | SP-TA-4.5-Ti | 296.00 | 331.52 | 4.5-kW 500-mm Replacement Tank Assembly |
| 6-kW | SP-TA-6-Ti-1P | 305.25 | 341.88 | 6-kW 500-mm Replacement Tank Assembly |
| 9-kW | SP-TA-9-Ti-1P | 331.75 | 371.56 | 9-kW 500-mm Replacement Tank Assembly |
| 12-kW | SP-TA-12-Ti-1P | 341.00 | 381.92 | 12-kW 500-mm Replacement Tank Assembly |
| 15-kW | SP-TA-15-Ti | 407.75 | 456.68 | 15-kW 500-mm Replacement Tank Assembly |
| 18-kW | SP-TA-18-Ti | 412.25 | 461.72 | 18-kW 500-mm Replacement Tank Assembly |
| 3-Phase Power Output: | Titanium Flow tube with Titanium Heating Element Part Code: | GBP RRP (£) | EUR RRP (€) | Description: |
| 6-kW | SP-TA-6-Ti-3P | 393.75 | 441.00 | 6-kW 500-mm Replacement Tank Assembly |
| 9-kW | SP-TA-9-Ti-3P | 398.25 | 446.04 | 9-kW 500-mm Replacement Tank Assembly |
| 12-kW | SP-TA-12-Ti-3P | 403.00 | 451.36 | 12-kW 500-mm Replacement Tank Assembly |
| 15-kW | SP-TA-15-Ti | 407.75 | 456.68 | 15-kW 500-mm Replacement Tank Assembly |
| 18-kW | SP-TA-18-Ti | 412.25 | 461.72 | 18-kW 500-mm Replacement Tank Assembly |
| 24-kW | SP-TA-24-Ti-3P | 483.50 | 541.52 | 24-kW 500-mm Replacement Tank Assembly |

Table 2. Replacement flow tubes

| Description: | Power Output: | Pcs/Unit: | Titanium Part Code: | GBP RRP (£) | EUR RRP (€) |
|--------------|--------------------------------------|-----------|---------------------|-------------|-------------|
| Flow tube | up to 6-kW Single Phase | 1 | X-TUB-TI370-1E | 112.75 | 126.28 |
| | 9-kW & 12-kW Single Phase | | X-TUB-TI370-2E | 112.75 | 126.28 |
| | 15, 18-kW Single Phase & All 3-Phase | | X-TUB-TI500-3E | 150.25 | 168.28 |

Table 3. Replacement heating elements

| Single Phase Power Output: | Titanium Heating Element Part Code: | GBP RRP (£) | EUR RRP (€) | Pcs/Unit: | Description: |
|----------------------------|-------------------------------------|-------------|-------------|-----------|--|
| 2-kW | SP-EL-Ti2KW7T | 112.25 | 125.72 | 1 | 2-kW Replacement Heating Element Kit |
| 3-kW | SP-EL-Ti2.8KW7T | 119.00 | 133.28 | 1 | 2.8-kW Replacement Heating Element Kit |
| 4.5-kW | SP-EL-Ti4.5KW7T | 124.75 | 139.72 | 1 | 4.5-kW Replacement Heating Element Kit |
| 6-kW | SP-EL-Ti6KW7T | 134.25 | 150.36 | 1 | 6-kW Replacement Heating Element Kit |
| 9-kW | SP-EL-Ti4.5KW7T | 124.75 | 139.72 | 2 | 4.5-kW Replacement Heating Element Kit |
| 12-kW | SP-EL-Ti6KW7T | 134.25 | 150.36 | 2 | 6-kW Replacement Heating Element Kit |
| 15-kW | SP-EL-Ti5KW7T | 129.50 | 145.04 | 3 | 5-kW Replacement Heating Element Kit |
| 18-kW | SP-EL-Ti6KW7T | 134.25 | 150.36 | 3 | 6-kW Replacement Heating Element Kit |
| 3-Phase Power Output: | Titanium Heating Element Part Code: | GBP RRP (£) | EUR RRP (€) | Pcs/Unit: | Description: |
| 6-kW | SP-EL-Ti2KW7T | 112.25 | 125.72 | 3 | 2-kW Replacement Heating Element Kit |
| 9-kW | SP-EL-Ti2.8KW7T | 119.00 | 133.28 | 3 | 2.8-kW Replacement Heating Element Kit |
| 12-kW | SP-EL-Ti4KW7T | 122.45 | 137.14 | 3 | 4-kW Replacement Heating Element Kit |
| 15-kW | SP-EL-Ti5KW7T | 129.50 | 145.04 | 3 | 5-kW Replacement Heating Element Kit |
| 18-kW | SP-EL-Ti6KW7T | 134.25 | 150.36 | 3 | 6-kW Replacement Heating Element Kit |
| 24-kW | SP-EL-Ti8KW7T | 144.50 | 161.84 | 3 | 8-kW Replacement Heating Element Kit |

Improving pools *globally*

11 Gunnels Wood Park, Gunnels Wood Road,
Stevenage, Hertfordshire, SG1 2BH, UK

Tel: +44 1438 749 474

Email: sales@elecra.co.uk

Web: www.elecra.co.uk

We reserve the right to change all or part of the features of the articles
or contents of this document, without prior notice.

SPL31-EN-Flowline 2 Spare Parts List V1-01.01.2020-Elecra
