

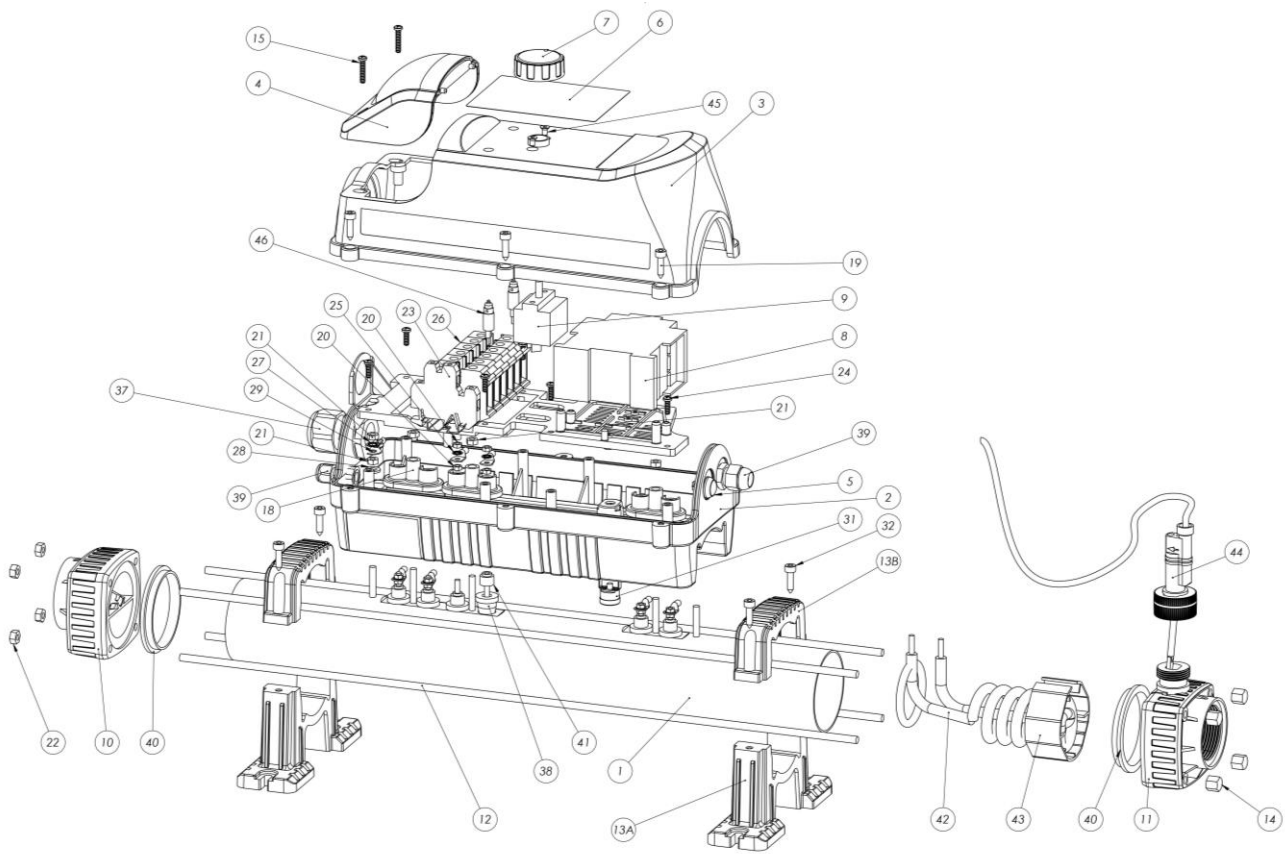
# Cygnet Aquatic Heater

## SPARE PART LISTS

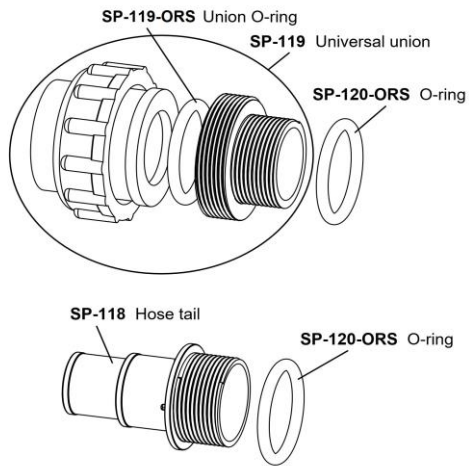


**ELECR**  
ENGINEERING

# Cygnet Analogue



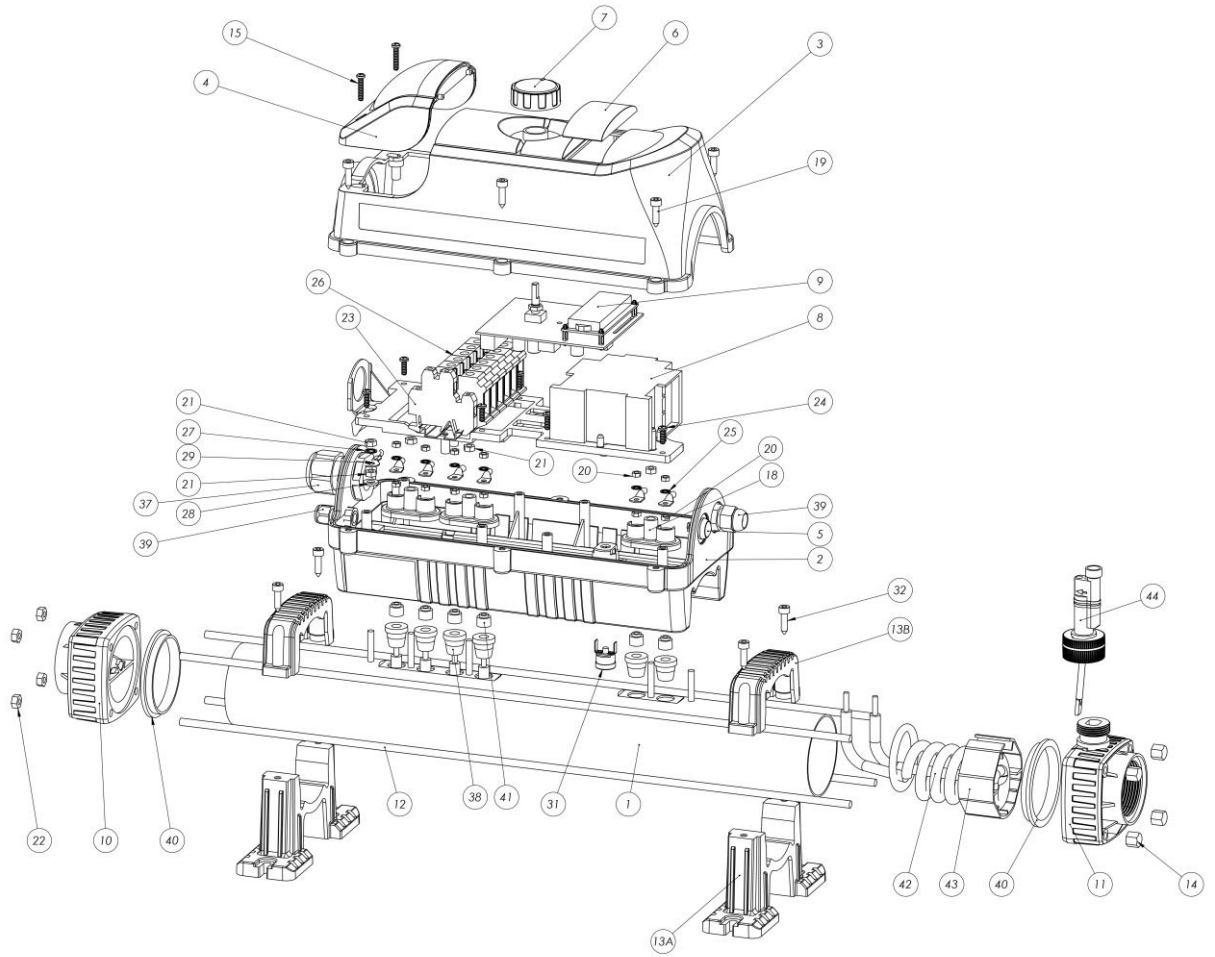
## Water connections:



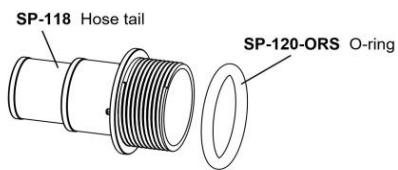
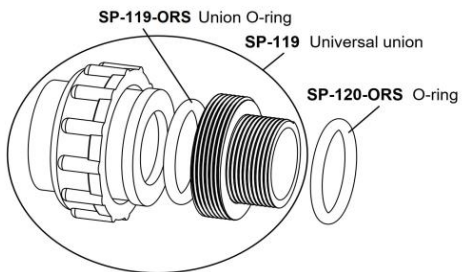
Item No.:	Description:	Power Output:	Pcs/Unit:	Part Code:	GBP RRP (£)	EUR RRP (€)	USD RRP (\$)
1	Flow tube	All	1	See Table 2	-	-	-
2	Electrical Enclosure Base	All	1	Z-IM-E2-BC	21.00	24.15	29.40
3	Analogue Front Cover	All	1	Z-IM-E2-ANA-TC	28.88	33.21	40.43
4	Electrical Access Cover	All	1	Z-IM-E2-AC	7.88	9.06	11.03
5	Test Button	All	1	Z-MIS-PBS	9.98	11.47	13.97
6	Ops Panel Overlay	All	1	Z-LAB-EVO2	9.71	11.17	13.60
7	Control Thermostat Dial	All	1	Z-IM-OC-ANA	7.88	9.06	11.03
8	Contactor	All	1	SP-SIE-2023-40A	71.14	81.81	99.59
			1		140.70	161.81	196.98
9	Analogue Control Thermostat	All	1	SP-MIS-CS-E2	43.84	50.41	61.37
10	Left End Fitting (NON F/S)	All	1	SP-117	25.73	29.58	36.02
11	Right End Fitting (F/S)	All	1	SP-117B	25.73	29.58	36.02
12	M6 Tie Bar	up to 6-kW Single Phase 230V	4	Z-STU-443	9.45	10.87	13.23
		8-kW Single Phase All 3-Phase	4	Z-STU-573	10.50	12.08	14.70
13A	Foot Lower	All	2	Z-IM-E2-FL	12.08	13.89	16.91
13B	Foot Upper	All	2	Z-IM-E2-FU	5.25	6.04	7.35
14	M6 Dome / Cap Nut	All	4	Z-FIX-M6CAP	5.51	6.34	7.72
15	M4x25 Pozi Pan Screw	All	2	Z-FIX-M4x25	1.58	1.81	2.21
18	Element Bridge	up to 4-kW Single Phase	1	Z-IM-EL-BRI	5.25	6.04	7.35
		6-kW & 8-kW Single Phase	2				
		6-kW & 8.4-kW 3-Phase	3				
19	Enclosure Screws	All	7	Z-FIX-M4.8x19STS-SC	5.51	6.34	7.72
20	M4 Hex Nut	up to 4-kW Single Phase	2	Z-FIX-M4HEX	4.20	4.83	5.88
		6-kW & 8-kW Single Phase	4				
		6-kW & 8.4-kW 3-Phase	6				
21	M5 Hex Nut	up to 4-kW Single Phase	1	Z-FIX-M5HEX	5.51	6.34	7.72
		6-kW & 8-kW Single Phase	2				
		6-kW & 8.4-kW 3-Phase	3				
22	M6 Hex Nut	All	4	Z-FIX-M6HEX	5.51	6.34	7.72
23	RCD Terminal Block With Resistor	All	1	Z-MIS-TB-RCD	6.56	7.55	9.19
24	M4x12 Pozi Pan Screw	All	9	Z-FIX-M4x25	1.58	1.81	2.21
25	M4 Locking Washer	up to 4-kW Single Phase	2	Z-FIX-M4LW	1.58	1.81	2.21
		6-kW & 8-kW Single Phase	4				
		6-kW & 8.4-kW 3-Phase	6				
26	Terminal Block	All Single Phase	3	Z-MIS-TB-130A	18.11	20.83	25.36
		All 3-Phase	5				
27	M5 Locking Washer	All	2	Z-FIX-M5LW	5.51	6.34	7.72
28	M6 Flat Washer	All	2	Z-FIX-M6FW	5.51	6.34	7.72
29	Earth Terminal	All	2	Z-CON-YR53	7.61	8.75	10.66
31	Auto Button Stat	All	1	Z-MIS-BS-60-40-NO	9.71	11.17	13.60
32	Foot Screws	All	4	Z-FIX-M4.8x19STS-SC	5.51	6.34	7.72
38	Element Ferrule (2pcs per Kit/Element)	up to 4-kW Single Phase	2	Z-IM-EL-FER	7.88	9.06	11.03
		6-kW & 8-kW Single Phase	4				
		6-kW & 8.4-kW 3-Phase	6				
37	PG-21 Cable Entry Gland (Inc Back Nut)	All	1	Z-CON-PG21BK + Z-CON-PG21NUT	18.11	20.83	25.36
39	PG-7 Cable Entry Gland (Inc Back Nut)	All	1	Z-CON-PG7BK	7.35	8.45	10.29
40	End Fitting Gasket (pack of 2pcs)	All	2	SP-117-GSK	7.35	8.45	10.29
41	Element Stepped Washer (2pcs per Kit)	up to 4-kW Single Phase	2	Z-IM-EL-SW	2.10	2.42	2.94
		6-kW & 8-kW Single Phase	4				
		6-kW & 8.4-kW 3-Phase	6				
42	Heating Element	All	1, 2, 3	See Table 3	-	-	-
43	Element Support (1pc per kit)	up to 4-kW Single Phase	2	Z-IM-EL-SUP	5.25	6.04	7.35
		6-kW & 8-kW Single Phase	4				
		6-kW & 8.4-kW 3-Phase	6				
44	Flow Switch	All	1	SP-107-A	40.69	46.79	56.96
			1		40.69	46.79	56.96
			1		40.69	46.79	56.96
45	M4x6mm Screw	All	2	Z-FIX-M4X6CS	1.58	1.81	2.21
45	Neon Indicator Lamp	All	1	Z-MIS-NEON	5.25	6.04	7.35

1.5" BSP Hose Tail for 1.5/1.25" Flexible Pipe	All	2	SP-118	11.03	12.68	15.44
1.5" BSP Universal Union for 1.5"/50-mm Pipe	All	2	SP-119	16.80	19.32	23.52
O-Rings (pack of 2 pcs)	All	2	SP-120-ORS	2.10	2.42	2.94
44mm x 6mm Union O-Ring (pack of 2 pcs)	All	2	SP-119-ORS	7.88	9.06	11.03

# Cygnet Digital



## Water connections:



Item No.:	Description:	Power Output:	Pcs/Unit:	Part Code:	GBP RRP (£)	EUR RRP (€)	USD RRP (\$)
1	Flow tube	All	1	See Table 2	-	-	-
2	Electrical Enclosure Base	All	1	Z-IM-E2-BC	21.00	24.15	29.40
3	Digital Front Cover	All	1	Z-IM-E2-DIG-TC	28.88	33.21	40.43
4	Electrical Access Cover	All	1	Z-IM-E2-AC	7.88	9.06	11.03
5	Test Button	All	1	Z-MIS-PBS	9.98	11.47	13.97
6	Window	All	1	Z-IM-E2-W	8.93	10.26	12.50
7	Control Thermostat Dial	All	1	Z-IM-OC-ANA	7.88	9.06	11.03
8	Contactor	All	1	SP-SIE-2023-40A	71.14	81.81	99.59
			1		140.70	161.81	196.98
9	PCB Digital Thermostat Board	All	1	Z-PCB-BUD	158.29	182.03	221.60
10	Left End Fitting (NON F/S)	All	1	SP-117	25.73	29.58	36.02
11	Right End Fitting (F/S)	All	1	SP-117B	25.73	29.58	36.02
12	M6 Tie Bar	up to 6-kW Single Phase 230V	4	Z-STU-443	9.45	10.87	13.23
		8-kW Single Phase All 3-Phase	4	Z-STU-573	10.50	12.08	14.70
13A	Foot Lower	All	2	Z-IM-E2-FL	12.08	13.89	16.91
13B	Foot Upper	All	2	Z-IM-E2-FU	5.25	6.04	7.35
14	M6 Dome / Cap Nut	All	4	Z-FIX-M6CAP	5.51	6.34	7.72
15	M4x25 Pozi Pan Screw	All	2	Z-FIX-M4x25	1.58	1.81	2.21
18	Element Bridge	up to 4-kW Single Phase	1	Z-IM-EL-BRI	5.25	6.04	7.35
		6-kW & 8-kW Single Phase	2				
		6-kW & 8.4-kW 3-Phase	3				
19	Enclosure Screws	All	7	Z-FIX-M4.8x19STS-SC	5.51	6.34	7.72
20	M4 Hex Nut	up to 4-kW Single Phase	2	Z-FIX-M4HEX	4.20	4.83	5.88
		6-kW & 8-kW Single Phase	4				
		6-kW & 8.4-kW 3-Phase	6				
21	M5 Hex Nut	up to 4-kW Single Phase	1	Z-FIX-M5HEX	5.51	6.34	7.72
		6-kW & 8-kW Single Phase	2				
		6-kW & 8.4-kW 3-Phase	3				
22	M6 Hex Nut	All	4	Z-FIX-M6HEX	5.51	6.34	7.72
23	RCD Terminal Block With Resistor	All	1	Z-MIS-TB-RCD	6.56	7.55	9.19
24	M4x12 Pozi Pan Screw	All	9	Z-FIX-M4x25	1.58	1.81	2.21
25	M4 Locking Washer	up to 4-kW Single Phase	2	Z-FIX-M4LW	1.58	1.81	2.21
		6-kW & 8-kW Single Phase	4				
		6-kW & 8.4-kW 3-Phase	6				
26	Terminal Block	All Single Phase	3	Z-MIS-TB-130A	18.11	20.83	25.36
		All 3-Phase	5				
27	M5 Locking Washer	All	2	Z-FIX-M5LW	5.52	6.34	7.72
28	M6 Flat Washer	All	2	Z-FIX-M6FW	5.51	6.34	7.72
29	Earth Terminal	All	2	Z-CON-YR53	7.61	8.75	10.66
31	Auto Button Stat	All	1	Z-MIS-BS-60-40-NO	9.71	11.17	13.60
32	Foot Screws	All	4	Z-FIX-M4.8x19STS-SC	5.51	6.34	7.72
37	PG-21 Cable Entry Gland (Inc Back Nut)	All	1	Z-CON-PG21BK + Z-CON-PG21NUT	18.11	20.83	25.36
38	Element Ferrule (2pcs per Kit/Element)	up to 4-kW Single Phase	2	Z-IM-EL-FER	7.88	9.06	11.03
		6-kW & 8-kW Single Phase	4				
		6-kW & 8.4-kW 3-Phase	6				
39	PG-7 Cable Entry Gland (Inc Back Nut)	All	1	Z-CON-PG7BK	7.35	8.45	10.29
40	End Fitting Gasket (pack of 2pcs)	All	2	SP-117-GSK	7.35	8.45	10.29
41	Element Stepped Washer (2pcs per Kit)	up to 4-kW Single Phase	2	Z-IM-EL-SW	2.10	2.42	2.94
		6-kW & 8-kW Single Phase	4				
		6-kW & 8.4-kW 3-Phase	6				
42	Heating Element	All	1, 2, 3	See Table 3			
43	Element Support (1pc per kit)	up to 4-kW Single Phase	2	Z-IM-EL-SUP	5.25	6.04	7.35
		6-kW & 8-kW Single Phase	4				
		6-kW & 8.4-kW 3-Phase	6				
44	Flow Switch	All	1	SP-107-A	40.69	46.79	56.96
			1		40.69	46.79	56.96
			1		40.69	46.79	56.96
1.5" BSP Hose Tail for 1.5/1.25" Flexible Pipe		All	2	SP-118	11.03	12.68	15.44
1.5" BSP Universal Union for 1.5"/50-mm Pipe		All	2	SP-119	16.80	19.32	23.52
O-Rings (pack of 2 pcs)		All	2	SP-120-ORS	2.10	2.42	2.94
44mm x 6mm Union O-Ring (pack of 2 pcs)		All	2	SP-119-ORS	7.88	9.06	11.03

**Table 1. Replacement tank assemblies**

Single Phase Power Output:	Titanium Flow tube with Titanium Heating Element Part Code:	GBP RRP (£)	EUR RRP (€)	USD RRP (\$)	Description:
1-kW	SP-TA-1-Ti-A	281.93	324.2138	394.70	2-kW 370-mm Replacement Tank Assembly
2-kW	SP-TA-2-Ti-A	292.69	336.59	409.76	3-kW 370-mm Replacement Tank Assembly
3-kW	SP-TA-3-Ti-A	300.83	345.9488	421.16	4.5-kW 370-mm Replacement Tank Assembly
4-kW	SP-TA-4-Ti-A	310.80	357.42	435.12	6-kW 370-mm Replacement Tank Assembly
6-kW	SP-TA-6-Ti-A	320.51	368.5894	448.72	9-kW 370-mm Replacement Tank Assembly
8-kW	SP-TA-8-Ti-A	360.94	415.08	505.31	12-kW 370-mm Replacement Tank Assembly
3-Phase Power Output:	Titanium Flow tube with Titanium Heating Element Part Code:	GBP RRP (£)	EUR RRP (€)	USD RRP (\$)	Description:
6-kW	SP-TA-6-Ti-3P	413.44	475.45	578.81	6-kW 500-mm Replacement Tank Assembly
8-kW	SP-TA-8-Ti-A-3P	418.16	480.89	585.43	9-kW 500-mm Replacement Tank Assembly

**Table 2 . Replacement flow tubes**

Description:	Power Output:	Pcs/Unit:	Titanium Part Code:	GBP RRP (£)	EUR RRP (€)	USD RRP (\$)
Flow tube	up to 4-kW Single Phase	1	X-TUB-TI370-1E	118.39	136.15	165.74
	6-kW & 8-kW Single Phase		X-TUB-TI370-2E	118.39	136.15	165.74
	All 3-Phase		X-TUB-TI500-3E	157.76	181.43	220.87

**Table 3. Replacement heating elements**

Single Phase Power Output:	Titanium Heating Element Part Code:	GBP RRP (£)	EUR RRP (€)	USD RRP (\$)	Pcs/Unit:	Description:
1-kW	SP-EL-Ti1KW7T	111.30	127.995	155.82	1	1-kW Replacement Heating Element Kit
2-kW	SP-EL-Ti2KW7T	117.86	135.5419	165.01	1	2-kW Replacement Heating Element Kit
3-kW	SP-EL-Ti2.9KW7T	124.95	143.6925	174.93	1	2.9-kW Replacement Heating Element Kit
4-kW	SP-EL-Ti4KW9T	130.99	150.6356	183.38	1	4-kW Replacement Heating Element Kit
6-kW	SP-EL-Ti2.9KW7T	124.95	143.6925	174.93	2	2.9-kW Replacement Heating Element Kit
8-kW	SP-EL-Ti4KW9T	130.99	150.6356	183.38	2	6-kW Replacement Heating Element Kit
3-Phase Power Output:	Titanium Heating Element Part Code:	GBP RRP (£)	EUR RRP (€)	USD RRP (\$)	Pcs/Unit:	Description:
6-kW	SP-EL-Ti2KW7T	117.86	135.5419	165.01	3	2-kW Replacement Heating Element Kit
8-kW	SP-EL-Ti2.8KW7T	124.95	143.6925	174.93	3	2.8-kW Replacement Heating Element Kit



## Improving pools *globally*

11 Gunnels Wood Park, Gunnels Wood Road,  
Stevenage, Hertfordshire, SG1 2BH, UK

Tel: +44 1438 749 474

Email: [sales@elecro.co.uk](mailto:sales@elecro.co.uk)

Web: [www.elecro.co.uk](http://www.elecro.co.uk)

We reserve the right to change all or part of the features of the articles  
or contents of this document, without prior notice.

**SPL261-EN-EVOLUTION 2 CYGNET SPARE PARTS LIST V3-21.10.2021**