

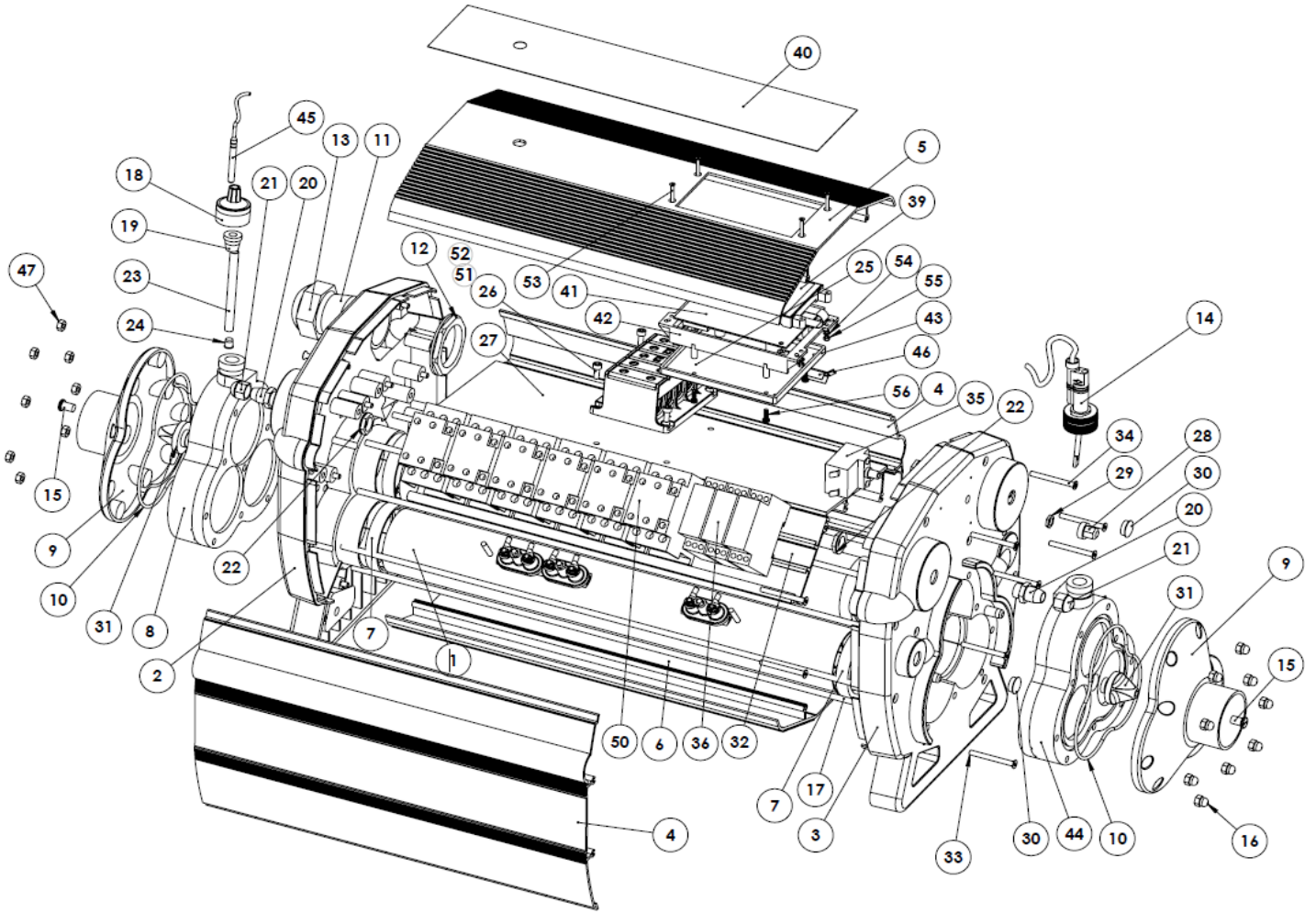
# Titan Optima

## SPARE PART LISTS



**ELECRO**  
ENGINEERING

# Titan Optima Touchscreen



Item No.:	Description:	Pcs/Unit:	Part Code:	GBP RRP (£)	EUR RRP (€)	USD RRP (\$)
1	Flow tube	3	See Table 3	-	-	-
2	Left Hand End Panel PG36 18-kW To 54-kW 400V 24-kW & 36-kW DELTA	1	X-IM-C-EP-L	56.96	65.51	79.7475
	Left Hand End Panel PG48 60-kW To 120-kW 400V 36-kW To 90-kW DELTA		X-IM-C-EP-L48	61.95	71.24	86.73
3	Right Hand End Panel	1	Z-IM-C-EP-R	57.75	66.41	80.85
4	Silver Side Panel Small	2	Z-SMW-C-SPS	31.82	36.59	44.54
	Silver Side Panel Large		Z-SMW-C-SPL	58.07	66.77	81.29
5	Top Panel Small	1	Z-SMW-C-TPS	45.68	52.53	63.95
	Top Panel Large		Z-SMW-C-TPL	73.50	84.53	102.90
6	Bottom Panel Small	1	Z-SMW-C-BPS	38.85	44.68	54.39
	Bottom Panel Large		Z-SMW-C-BPL	73.29	84.28	102.61
7	HNBR Flow Tube Gasket	6	SP-HE-GSK	15.23	17.51	21.32
8	Inlet (Left) Manifold	1	Z-IM-MF-CL	44.10	50.72	61.74
9	Manifold Cover	1	Z-IM-MF-CVR	13.65	15.70	19.11
10	Manifold O-Ring	1	Z-ORS-MANI	8.93	10.26	12.50
11	PG36 Cable Entry Gland With Back Nut	1	Z-CON-PG36BK + Z-CON-PG36NUT	14.18	16.30	19.85
13	PG48 Cable Entry Gland With Back Nut		Z-CON-PG48BK + Z-CON-PG48NUT	23.36	26.87	32.71
14	Flow Switch	1	SP-107-D	40.69	46.79	56.96
15	M8 x 12-mm S/S Slot Pan Screw	2	Z-FIX-M8X12	7.61	8.75	10.66
16	M6 Cap Nut	9	Z-FIX-M6CAP	5.51	6.34	7.72
17	M6 Tie Bar Small	9	Z-STU-604	11.55	13.28	16.17
	M6 Tie Bar Medium		Z-STU-782	12.60	14.49	17.64
	M6 Tie Bar Large		Z-STU-947	12.60	14.49	17.64
18	Thermostat Pocket Cap	1	Z-IM-HE-SPC	11.55	13.28	16.17
19	EPDM Ferrule	1	Z-IM-EL-FER	7.88	9.06	11.03
20	PG9 Cable Entry Gland With Back Nut	2	Z-CON-PG9BK	7.88	9.06	11.03
21				7.88	9.06	11.03
22				3.68	4.23	5.15
23	8.5-mm OD Titanium Thermostat Pocket	1	Z-TUB-TI8.5-90	133.09	153.05	186.32
24	EPDM Thermostat Pocket Seal	1	Z-IM-GSK-BUNG	16.54	19.02	23.15
25	Terminal Block	1	U-TB-230A	27.83	32.00	38.96
26+51+52	M5 x 10-mm Mounting Screw Set	4	Z-FIX-M5X10SC + Z-FIX-M5HEX + Z-FIX-M5LW	40.69	46.79	56.96
27	Terminal Block Cross Rail Small	1	Z-SMW-CRS-TB	63.53	73.05	88.94
	Terminal Block Cross Rail Medium		Z-SMW-CRM-TB	7.61	8.75	10.66
	Terminal Block Cross Rail Large		Z-SMW-CRL-TB	-	-	-
28	Thermal Cut Out Cover (Black)	1	Z-CON-PG9DBC	7.61	8.75	10.66
29	Thermal Cut Out Nut M8	1	Supplied with no.35	6.04	6.94	8.45
30	PG9 Blanking Cover	1	Z-CON-PG9DB	24.78	28.50	34.69
31	Manifold Diffuser	2	Z-IM-MF-DIF	33.81	38.88	47.33
32	DIN Rail Cross Rail Small	1	Z-SMW-C-CRS	24.78	28.50	34.69
	DIN Rail Cross Rail Large		Z-SMW-C-CRL	40.22	46.25	56.30
33	M5 x 50-mm S/S CSK Socket Cap	12	Z-FIX-M5X50CS-SC	48.83	56.15	68.36
34	M5 x 50-mm S/S CSK Pozi Drive	4	Z-FIX-M5X50CS-PD	-	-	-
35	Safety Thermal Cut Out (Manual Reset)	1	SP-MIS-HLS	48.83	56.15	68.36
36	OMRON Delay Timer	2, 3, 4, 5	See Tab.4	151.99	174.79	212.78
38	Fuse Holder	1	Z-MIS-FH	11.55	13.28	16.17
39	Touch Screen	1	Z-MIS-BMS-TS	70.88	81.51	99.23
40	Touch Screen Overlay	1	Z-LAB-C-TS	24.68	28.38	34.55
41	PCB Digital Thermostat Board	1	Z-PCB-BMS	138.86	159.69	194.41
42	Digital Controller Mounting Bracket	1	Z-IM-OC-DIG-MB	10.50	12.08	14.70
43	PCB Board Cover	1	Z-SMW-SFS-PCB	13.13	15.09	18.38
44	Outlet (Right) Manifold	1	Z-IM-MF-CR	7.61	8.75	10.66
45	NTC Temperature Sensor	1	Z-MIS-NTC-1000	32.29	37.13	45.20
46	Capillary Bulb Holder	1	X-SMW-HLS-CBH	7.61	8.75	10.66
47	M6 S/S Full Hex Nut	9	Z-FIX-M6HEX	5.51	6.339375	7.7175
50	SIEMENS Contactor	4, 6, 8, 10	See Tab.5	-	-	-
53, 54, 55	M3x22-mm Mounting Screw Set	4	Z-FIX-M3x22CS-PD + Z-FIX-M3HEX + Z-FIX-M3FW	4.73	5.43375	6.615

**Table 1. Replacement Tank Assembly**

380-440 3-Phase Power Output:	Titanium Flow Tube with Titanium Heating Element Part Code:	GBP RRP (£)	EUR RRP (€)	USD RRP (\$)	Description:
18-kW	SP-TA-CP-500-6	347.29	399.38	486.20	6-kW 500-mm Replacement Tank Assembly 400V
	SP-TA-CP-500-6-380	347.29	399.38	486.20	W 500-mm Replacement Tank Assembly 380V+I248:12
	SP-TA-CP-500-6-415	347.29	399.38	486.20	6-kW 500-mm Replacement Tank Assembly 415V
24-kW	SP-TA-CP-500-8	359.89	413.87	503.84	8-kW 500-mm Replacement Tank Assembly 400V
	SP-TA-CP-500-8-380	359.89	413.87	503.84	8-kW 500-mm Replacement Tank Assembly 380V
	SP-TA-CP-500-8-415	359.89	413.87	503.84	8-kW 500-mm Replacement Tank Assembly 415V
30-kW	SP-TA-CP-500-10	365.93	420.81	512.30	10-kW 500-mm Replacement Tank Assembly 400V
	SP-TA-CP-500-10-380	365.93	420.81	512.30	10-kW 500-mm Replacement Tank Assembly 380V
	SP-TA-CP-500-10-415	365.93	420.81	512.30	10-kW 500-mm Replacement Tank Assembly 415V
36-kW	SP-TA-CP-500-12	370.65	426.25	518.91	12-kW 500-mm Replacement Tank Assembly 400V
	SP-TA-CP-500-12-380	370.65	426.25	518.91	12-kW 500-mm Replacement Tank Assembly 380V
	SP-TA-CP-500-12-415	370.65	426.25	518.91	12-kW 500-mm Replacement Tank Assembly 415V
45-kW	SP-TA-CP-500-15	428.14	492.36	599.39	15-kW 500-mm Replacement Tank Assembly 400V
	SP-TA-CP-500-15-380	428.14	492.36	599.39	15-kW 500-mm Replacement Tank Assembly 380V
	SP-TA-CP-500-15-415	428.14	492.36	599.39	15-kW 500-mm Replacement Tank Assembly 415V
54-kW	SP-TA-CP-500-18	432.86	497.79	606.01	18-kW 500-mm Replacement Tank Assembly 400V
	SP-TA-CP-500-18-380	432.86	497.79	606.01	18-kW 500-mm Replacement Tank Assembly 380V
	SP-TA-CP-500-18-415	432.86	497.79	606.01	18-kW 500-mm Replacement Tank Assembly 415V
60-kW	SP-TA-CP-678-20	610.31	701.86	854.44	20-kW 500-mm Replacement Tank Assembly 400V
	SP-TA-CP-500-20-380	610.31	701.86	854.44	20-kW 500-mm Replacement Tank Assembly 380V
	SP-TA-CP-500-20-415	610.31	701.86	854.44	20-kW 500-mm Replacement Tank Assembly 415V
72-kW	SP-TA-CP-500-24	622.39	715.75	871.34	24-kW 500-mm Replacement Tank Assembly 400V
	SP-TA-CP-500-24-380	622.39	715.75	871.34	24-kW 500-mm Replacement Tank Assembly 380V
	SP-TA-CP-500-24-415	622.39	715.75	871.34	24-kW 500-mm Replacement Tank Assembly 415V
96-kW	SP-TA-CP-843-32	721.88	830.16	1010.63	32-kW 843-mm Replacement Tank Assembly 400V
	SP-TA-CP-843-32-380	721.88	830.16	1010.63	32-kW 843-mm Replacement Tank Assembly 380V
	SP-TA-CP-843-32-415	721.88	830.16	1010.63	32-kW 843-mm Replacement Tank Assembly 415V
120-kW	SP-TA-CP-843-40	736.05	846.46	1030.47	40-kW 843-mm Replacement Tank Assembly 400V
	SP-TA-CP-843-40-380	736.05	846.46	1030.47	40-kW 843-mm Replacement Tank Assembly 380V
	SP-TA-CP-843-40-415	736.05	846.4575	1030.47	40-kW 843-mm Replacement Tank Assembly 415V
220-240v 3-Phase Power Output:	Titanium Flow tube with Titanium Heating Element Part Code:	GBP RRP (£)	EUR RRP (€)	GBP RRP (£)	Description:
18-kW	SP-TA-CP-500-6	347.29	399.38	486.20	6-kW 500-mm Replacement Tank Assembly
24-kW	SP-TA-CP-500-8	359.89	413.87	503.84	8-kW 500-mm Replacement Tank Assembly
30-kW	SP-TA-CP-500-10	365.93	420.81	512.30	10-kW 500-mm Replacement Tank Assembly
36-kW	SP-TA-CP-500-12	370.65	426.25	518.91	12-kW 500-mm Replacement Tank Assembly
45-kW	SP-TA-CP-500-15	595.88	685.26	834.23	15-kW 500-mm Replacement Tank Assembly
54-kW	SP-TA-CP-500-18	608.74	700.05	852.23	18-kW 500-mm Replacement Tank Assembly
60-kW	SP-TA-CP-843-20	693.53	797.55	970.94	20-kW 678-mm Replacement Tank Assembly
72-kW	SP-TA-CP-843-24	707.70	813.86	990.78	24-kW 678-mm Replacement Tank Assembly
90-kW	SP-TA-CP-843-32	721.88	830.16	1010.63	32-kW 843-mm Replacement Tank Assembly

**Table 2. Replacement Heating Elements**

380-440V 3-Phase Power Output:	Titanium Heating Element Part Code:	GBP RRP (£)	EUR RRP (€)	USD RRP (\$)	Pcs:	Description:
18-kW	SP-EL-Ti2.8KW7T	124.95	143.69	174.93	6	2.8-kW Replacement Heating Element Kit
24-kW	SP-EL-Ti4KW7T	128.57	147.86	180.00	6	4-kW Replacement Heating Element Kit
30-kW	SP-EL-Ti5KW7T	140.96	162.11	197.35	6	5-kW Replacement Heating Element Kit
36-kW	SP-EL-Ti6KW7T	140.96	162.11	197.35	6	6-kW Replacement Heating Element Kit
45-kW	SP-EL-Ti5KW7T	135.98	156.37	190.37	9	5-kW Replacement Heating Element Kit
54-kW	SP-EL-Ti6KW7T	140.96	162.11	197.35	9	6-kW Replacement Heating Element Kit
60-kW	SP-EL-Ti6.7KW7T	147.00	169.05	205.80	9	6.7-kW Replacement Heating Element Kit
72-kW	SP-EL-Ti8KW7T	151.73	174.48	212.42	9	8-kW Replacement Heating Element Kit
96-kW	SP-EL-Ti8KW7T	151.73	174.48	212.42	12	8-kW Replacement Heating Element Kit
120-kW	SP-EL-Ti8KW7T	151.73	174.48	212.42	15	8-kW Replacement Heating Element Kit
220-240V 3-Phase Power Output:	Titanium Heating Element Part Code:	GBP RRP (£)	EUR RRP (€)	USD RRP (\$)	Pcs:	Description:
18-kW	SP-EL-Ti2.8KW7T	124.95	143.69	174.93	6	2.8-kW Replacement Heating Element Kit
24-kW	SP-EL-Ti4KW7T	128.57	147.86	180.00	6	4-kW Replacement Heating Element Kit
30-kW	SP-EL-Ti5KW7T	140.96	162.11	197.35	6	5-kW Replacement Heating Element Kit
36-kW	SP-EL-Ti6KW7T	140.96	162.11	197.35	6	6-kW Replacement Heating Element Kit
45-kW	SP-EL-Ti5KW7T	135.98	156.37	190.37	9	5-kW Replacement Heating Element Kit
54-kW	SP-EL-Ti6KW7T	140.96	162.11	197.35	9	6-kW Replacement Heating Element Kit
60-kW	SP-EL-Ti5KW7T	135.98	156.37	190.37	12	5-kW Replacement Heating Element Kit
72-kW	SP-EL-Ti6KW7T	140.96	162.11	197.35	12	6-kW Replacement Heating Element Kit
90-kW	SP-EL-Ti6KW7T	140.96	162.11	197.35	15	6-kW Replacement Heating Element Kit



**Table 3. Replacement Flow Tube**

380-440V 3-Phase Power Output:	Titanium Flow Tube Part Code:	GBP RRP (£)	EUR RRP (€)	USD RRP (\$)	Description:
18-kW	X-TUB-TI500-2E-C	157.76	181.43	220.87	500-mm Replacement Titan Optima Flow Tube
24-kW					
30-kW					
36-kW					
45-kW	X-TUB-TI500-3E-C	157.76	181.43	220.87	
54-kW					
60-kW					
72-kW	X-TUB-TI843-4E-C	280.35	322.40	392.49	
96-kW					
120-kW	X-TUB-TI843-5E-C	280.35	322.40	392.49	

220-240V 3-Phase Power Output:	Titanium Flow Tube Part Code:	GBP RRP (£)	EUR RRP (€)	USD RRP (\$)	Description:
18-kW	X-TUB-TI500-2E-C	157.76	181.43	220.87	500-mm Replacement Titan Optima Flow Tube
24-kW					
30-kW					
36-kW					
45-kW	X-TUB-TI500-3E-C	225.75	259.61	316.05	
54-kW					
60-kW					
72-kW	X-TUB-TI843-4E-C	280.35	322.40	392.49	
90-kW					
	X-TUB-TI843-5E-C	280.35	322.40	392.49	

**Table 4. Replacement Delay Timer**

380-440V 3-Phase Power Output:	Pcs:	Product Code:	Description:	GBP RRP (£)	EUR RRP (€)	USD RRP (\$)
18-kW	2	Z-OM-TIM	OMRON Delay Timer	61.16	70.34	85.63
24-kW	2					
30-kW	2					
36-kW	2					
45-kW	3					
54-kW	3					
60-kW	3					
72-kW	3					
96-kW	4					
120-kW	5					

220-240V 3-Phase Power Output:	Pcs:	Product Code:	Description:	GBP RRP (£)	EUR RRP (€)	USD RRP (\$)
18-kW	2	Z-OM-TIM	OMRON Delay Timer	64.22	73.85	89.91
24-kW	2					
30-kW	2					
36-kW	2					
45-kW	3					
54-kW	3					
60-kW	4					
72-kW	4					
90-kW	5					

**Table 5. Replacement contactors**

380-440V 3-Phase Power Output:	Pcs:	Product Code:	Description:	GBP RRP (£)	EUR RRP (€)	GBP RRP (£)
18-kW	4	Z-SIE-2023-40A	SIEMENS Contactor 2023 40Amp AC1	71.14	81.808125	99.5925
24-kW	4					
30-kW	4					
36-kW	4					
45-kW	6					
54-kW	6					
60-kW	6	Z-SIE-2027-50A	SIEMENS Contactor 2027 50Amp AC1	140.70	161.81	196.98
72-kW	6					
96-kW	8					
120-kW	10					

220-240V 3-Phase Power Output:	Pcs:	Product Code:	Description:	GBP RRP (£)	EUR RRP (€)	GBP RRP (£)
18-kW	4	Z-SIE-2027-50A	SIEMENS Contactor 2027 50Amp AC1	140.70	161.81	196.98
24-kW	4					
30-kW	4					
36-kW	4					
45-kW	6					
54-kW	6					
60-kW	8					
72-kW	8					
90-kW	10					



## Improving pools *globally*

11 Gunnels Wood Park, Gunnels Wood Road,  
Stevenage, Hertfordshire, SG1 2BH, UK

Tel: +44 1438 749 474

Email: [sales@elecro.co.uk](mailto:sales@elecro.co.uk)

Web: [www.elecro.co.uk](http://www.elecro.co.uk)

We reserve the right to change all or part of the features of the articles  
or contents of this document, without prior notice.

SPL231-EN-Titan Optima Spare Parts List V2-04.11.2021-Elecro