

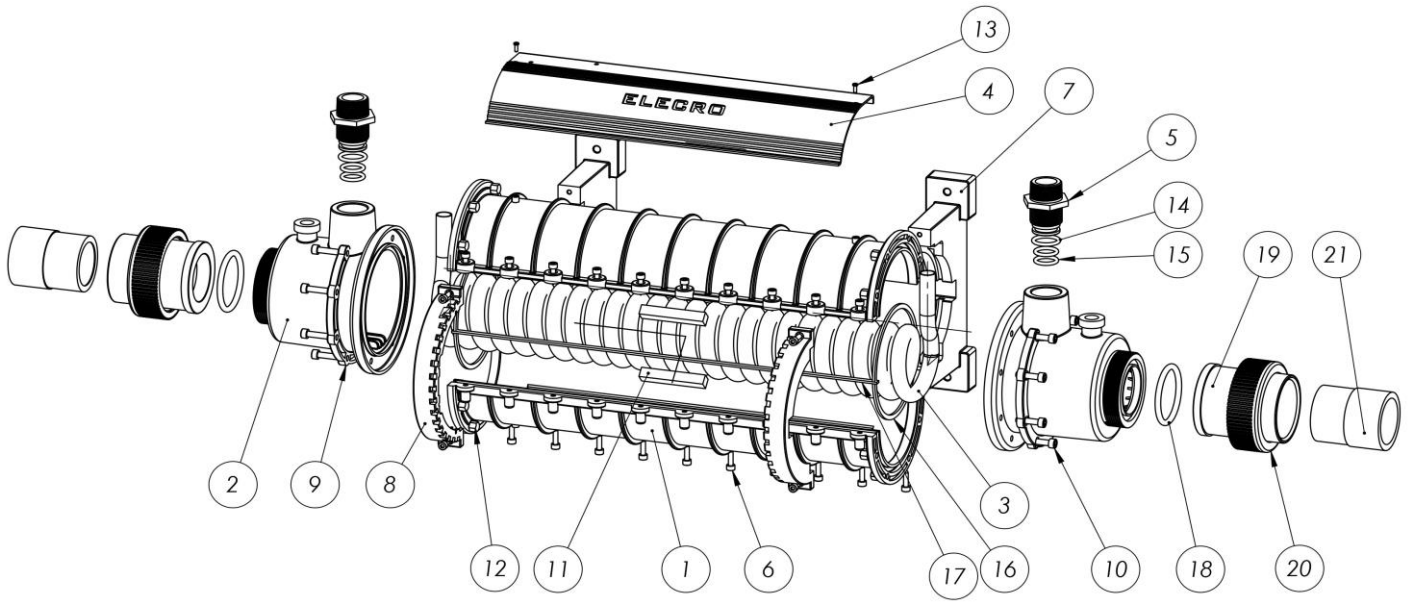
SST

SPARE PART LISTS



ELEGRO
ENGINEERING

SST



Item No.:	Description:	Pcs/Unit:	Product Code				GBP RRP (£)			
			SST-36	SST-50	SST-75	SST-95	SST-36	SST-50	SST-75	SST-95
1	36-kW Spiral H/E Tank (Half)	2	Z-IM-SHE-T-36	Z-IM-SHE-T-50	Z-IM-SHE-T-75	Z-IM-SHE-T-95	30.45	35.70	59.85	64.05
2	Spiral H/E End Coupling	2	Z-IM-SHE-EC				36.75			
3	36-kW Titanium Spiral Tube Coil (Processed Ends)	1	X-SHE-ST-36	X-SHE-ST-50	X-SHE-ST-75	X-SHE-ST-95	141.23	223.65	324.45	359.10
4	36-kW Spiral Heat Exchanger Extruded Shell	1	Z-SMW-SHE-36	Z-SMW-SHE-50	Z-SMW-SHE-75	Z-SMW-SHE-95	22.05	24.94	29.40	31.76
5	Spiral Heat Exchanger 316L S/S Nipple	2	Z-SHE-BN				22.58			
6	M4.8x19-mm S/S Socket Cap Self Tapping Screw	14 for SST-36; 18 for SST-50; 24 for SST-75; 30 for SST-95	Z-FIX-M4.8X19STS-SC				5.51			
7	Spiral H/E Front Bracket	2	Z-IM-SHE-FB				11.03			
8	Spiral H/E Rear Bracket	2	Z-IM-SHE-RB				22.05			
9	Spiral H/E Bolt Flange	2	Z-IM-SHE-BF				13.13			
10	M6 x 22mm S/S Socket Cap	18	Z-FIX-M6X22-SC				5.51			
11	Titanium Coil Heat Exchanger Rubber Dumper	4	Z-IM-SHE-RD				22.05			
12	M6 S/S Cap Nut	18	Z-FIX-M6CAP				5.51			
13	M3 x 8-mm Black Pozi Pan Screw	2	Z-FIX-M3X8-BLK				1.58			
14	Plastic Heat Exchanger O-Ring Seal ID22.6mm C/s 3.6mm	2	Z-ORS-PHE-22.6MM				3.41			
15	Plastic Heat Exchanger O-Ring Seal ID18.6mm C/s 3.6mm	4	Z-ORS-PHE-18.6MM				7.88			
16	SST End Cap Gasket (EPDM)	2	Z-IM-GSK-SST-EC				7.50			
17	SST Groove Gasket 700mm (EPDM)	2	Z-IM-GSK-SST-GG-700				13.13			
18	56mm x 5.3mm Large Union O-Ring EPDM Shore 70	2	Z-ORS-UNI-L				4.46			
19	Universal 2" / 63-mm Socket For Big Union	2	Z-IM-UNI-2"/63		U-IM-UNI-63-2-UV/SST		10.50		14.18	
20	Big Union Nut	2	Z-IM-UNI-NUT				6.30			
21	UV Union Reducer 50-mm / 1.5"	2	Z-IM-UV-R				4.73			

Item No.:	Description:	Pcs/Unit:	Product Code				EUR RRP (€)			
			SST-36	SST-50	SST-75	SST-95	SST-36	SST-50	SST-75	SST-95
1	36-kW Spiral H/E Tank (Half)	2	Z-IM-SHE-T-36	Z-IM-SHE-T-50	Z-IM-SHE-T-75	Z-IM-SHE-T-95	35.02	41.06	68.83	73.66
2	Spiral H/E End Coupling	2	Z-IM-SHE-EC				42.26			
3	36-kW Titanium Spiral Tube Coil (Processed Ends)	1	X-SHE-ST-36	X-SHE-ST-50	X-SHE-ST-75	X-SHE-ST-95	162.41	257.20	373.12	412.97
4	36-kW Spiral Heat Exchanger Extruded Shell	1	Z-SMW-SHE-36	Z-SMW-SHE-50	Z-SMW-SHE-75	Z-SMW-SHE-95	25.36	28.68	33.81	36.53
5	Spiral Heat Exchanger 316L S/S Nipple	2	Z-SHE-BN				25.96			
6	M4.8x19-mm S/S Socket Cap Self Tapping Screw	14 for SST-36; 18 for SST-50; 24 for SST-75; 30 for SST-95	Z-FIX-M4.8X19STS-SC				6.34			
7	Spiral H/E Front Bracket	2	Z-IM-SHE-FB				12.68			
8	Spiral H/E Rear Bracket	2	Z-IM-SHE-RB				25.36			
9	Spiral H/E Bolt Flange	2	Z-IM-SHE-BF				15.09			
10	M6 x 22mm S/S Socket Cap	18	Z-FIX-M6X22-SC				6.34			
11	Titanium Coil Heat Exchanger Rubber Dumper	4	Z-IM-SHE-RD				25.36			
12	M6 S/S Cap Nut	18	Z-FIX-M6CAP				6.34			
13	M3 x 8-mm Black Pozi Pan Screw	2	Z-FIX-M3X8-BLK				1.81			
14	Plastic Heat Exchanger O-Ring Seal ID22.6mm C/s 3.6mm	2	Z-ORS-PHE-22.6MM				3.92			
15	Plastic Heat Exchanger O-Ring Seal ID18.6mm C/s 3.6mm	4	Z-ORS-PHE-18.6MM				9.06			
16	SST End Cap Gasket (EPDM)	2	Z-IM-GSK-SST-EC				8.63			
17	SST Groove Gasket 700mm (EPDM)	2	Z-IM-GSK-SST-GG-700				15.09			
18	56mm x 5.3mm Large Union O-Ring EPDM Shore 70	2	Z-ORS-UNI-L				5.13			
19	Universal 2" / 63-mm Socket For Big Union	2	Z-IM-UNI-2"/63		U-IM-UNI-63-2-UV/SST		12.08		16.30	
20	Big Union Nut	2	Z-IM-UNI-NUT				7.25			
21	UV Union Reducer 50-mm / 1.5"	2	Z-IM-UV-R				5.43			

Item No.:	Description:	Pcs/Unit:	Product Code				USD RRP (\$)			
			SST-36	SST-50	SST-75	SST-95	SST-36	SST-50	SST-75	SST-95
1	36-kW Spiral H/E Tank (Half)	2	Z-IM-SHE-T-36	Z-IM-SHE-T-50	Z-IM-SHE-T-75	Z-IM-SHE-T-95	42.63	49.98	83.79	89.67
2	Spiral H/E End Coupling	2	Z-IM-SHE-EC				51.45			
3	36-kW Titanium Spiral Tube Coil (Processed Ends)	1	X-SHE-ST-36	X-SHE-ST-50	X-SHE-ST-75	X-SHE-ST-95	197.72	313.11	454.23	502.74
4	36-kW Spiral Heat Exchanger Extruded Shell	1	Z-SMW-SHE-36	Z-SMW-SHE-50	Z-SMW-SHE-75	Z-SMW-SHE-95	30.87	34.91	41.16	44.47
5	Spiral Heat Exchanger 316L S/S Nipple	2	Z-SHE-BN				31.61			
6	M4.8x19-mm S/S Socket Cap Self Tapping Screw	14 for SST-36; 18 for SST-50; 24 for SST-75; 30 for SST-95	Z-FIX-M4.8X19STS-SC				7.72			
7	Spiral H/E Front Bracket	2	Z-IM-SHE-FB				15.44			
8	Spiral H/E Rear Bracket	2	Z-IM-SHE-RB				30.87			
9	Spiral H/E Bolt Flange	2	Z-IM-SHE-BF				18.38			
10	M6 x 22mm S/S Socket Cap	18	Z-FIX-M6X22-SC				7.72			
11	Titanium Coil Heat Exchanger Rubber Dumper	4	Z-IM-SHE-RD				30.87			
12	M6 S/S Cap Nut	18	Z-FIX-M6CAP				7.72			
13	M3 x 8-mm Black Pozi Pan Screw	2	Z-FIX-M3X8-BLK				2.21			
14	Plastic Heat Exchanger O-Ring Seal ID22.6mm C/s 3.6mm	2	Z-ORS-PHE-22.6MM				4.78			
15	Plastic Heat Exchanger O-Ring Seal ID18.6mm C/s 3.6mm	4	Z-ORS-PHE-18.6MM				11.03			
16	SST End Cap Gasket (EPDM)	2	Z-IM-GSK-SST-EC				10.50			
17	SST Groove Gasket 700mm (EPDM)	2	Z-IM-GSK-SST-GG-700				18.38			
18	56mm x 5.3mm Large Union	2	Z-ORS-UNI-L				6.25			
19	Universal 2" / 63-mm Socket For	2	Z-IM-UNI-2"/63		U-IM-UNI-63-2-UV/SST		14.70		19.85	
20	Big Union Nut	2	Z-IM-UNI-NUT				8.82			
21	UV Union Reducer 50-mm / 1.5"	2	Z-IM-UV-R				6.62			



ELECRO
ENGINEERING

Improving pools *globally*

11 Gunnels Wood Park, Gunnels Wood Road,
Stevenage, Hertfordshire, SG1 2BH, UK

Tel: +44 1438 749 474

Email: sales@elecro.co.uk

Web: www.elecro.co.uk



We reserve the right to change all or part of the features of the articles
or contents of this document, without prior notice.

SPL196-EN-SST Spare Parts List V1-02.11.2021-Elecro