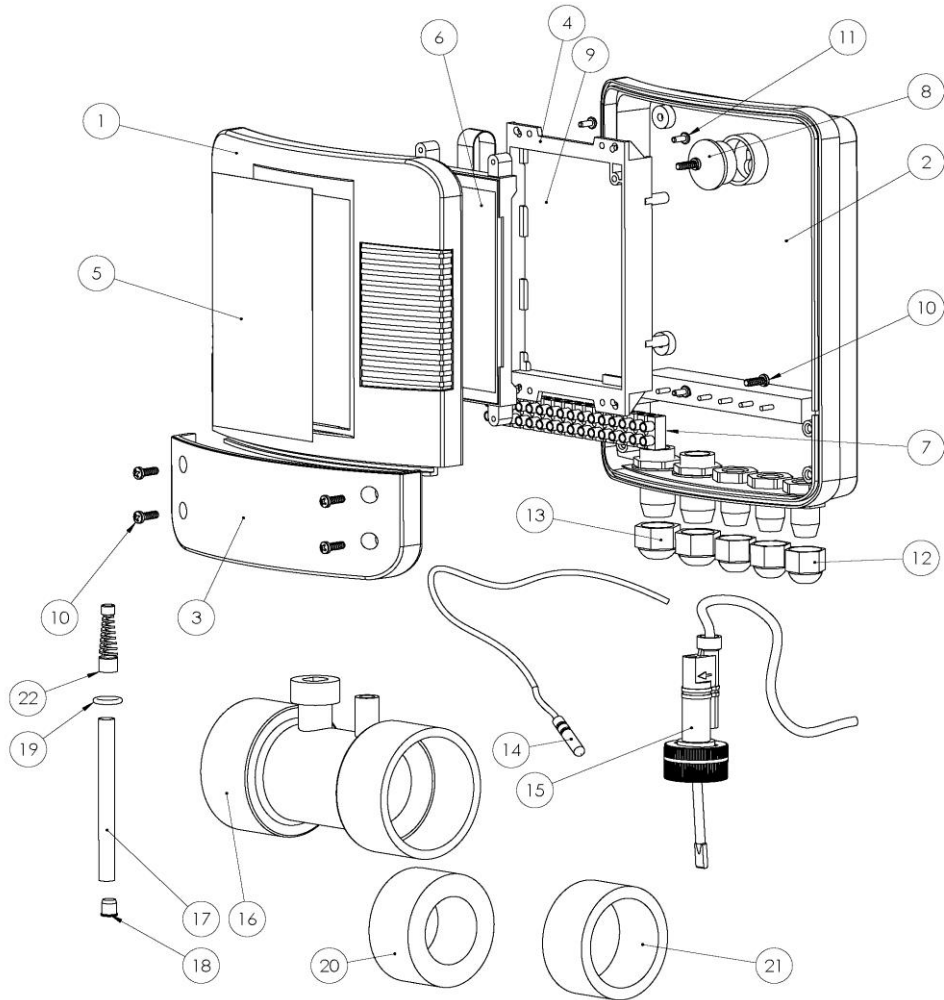


Poolsmart plus

SPARE PART LISTS



PoolSmart



Item No.:	Description:	Pcs/Unit:	Product Code:	GBP RRP (£)	EUR RRP (€)	USD RRP (\$)
1	PoolSmart Plus T/S Front Cover (Blue)	1	Z-IM-SR-C-FC-PS	15.23	17.51	21.32
2	Controller Enclosure	1	Z-IM-SR-C-ENC	25.99	29.89	36.38
3	PoolSmart Plus Access Cover (Blue)	1	Z-IM-SR-C-AC-PS	12.08	13.89	16.91
4	Digital Controller Mounting Bracket	1	Z-IM-OC-DIG-MB	10.50	12.08	14.70
5	Poolsmart Plus Touchscreen Controller Overlay	1	Z-LAB-PS-PLUS	15.23	17.51	21.32
6	Touchscreen For BMS Digital Thermostat	1	Z-MIS-BMS-TS	70.88	81.51	99.23
7	12-Way 1.5mm2 Ensto Terminal Block	1	Z-MIS-TB1.5MM2	12.86	14.79	18.01
8	Controller Enclosure Blanking Disc	1	Z-IM-SR-C-BD	3.68	4.23	5.15
9	PCB For BMS Digital Thermostat	1	Z-PCB-BMS	138.86	159.69	194.41
10	M4 x 25-mm Zinc Coated Pozi Pan Screw	8	Z-FIX-M4X25	1.58	1.81	2.21
11	M3 x 12 -mm FLG Pozi Zinc Coated	4	Z-FIX-M3X12-FLG	1.58	1.81	2.21
12	Black PG9 Cable Entry Gland	3	Z-CON-PG9BK	7.88	9.06	11.03
13	Black PG11 Cable Entry Gland	2	Z-CON-PG11BK + Z-CON-PG11NUT	13.91	16.00	19.48
14	3-m NTC Temperature Sensor	1	Z-MIS-NTC-3000	43.05	49.51	60.27
15	Flow Switch	1	U-FS-PS	46.73	53.73	65.42
16	ABS Pool / Pond Smart T-Piece	1	Z-IM-TP	26.78	30.79	37.49
17	7-mm OD / 6.2-mm ID Titanium Tube	1	Z-TUB-TI7-60			
18	EPDM Stat Pocket Bung 7mm OD	1	Z-IM-GSK-BUNG-7MM			
19	7mm ID x 2mm T-Piece O-Ring	1	Z-ORS-TP			
20	1.5" ABS T-Piece Insert Reducer	1	Z-IM-TP-1.5"	7.88	9.06	11.03
21	50mm ABS T-Piece Insert Reducer	1	Z-IM-TP-50MM	7.88	9.06	11.03
22	M12 Spiral Locknut	1	Z-FIX-M12SLN	5.51	6.34	7.72



Improving pools *globally*

11 Gunnels Wood Park, Gunnels Wood Road,
Stevenage, Hertfordshire, SG1 2BH, UK

Tel: +44 1438 749 474

Email: sales@elecro.co.uk

Web: www.elecro.co.uk

We reserve the right to change all or part of the features of the articles
or contents of this document, without prior notice.

SPL151-EN-Poolsmart Spare Parts List V2-02.11.2021-Elecro