

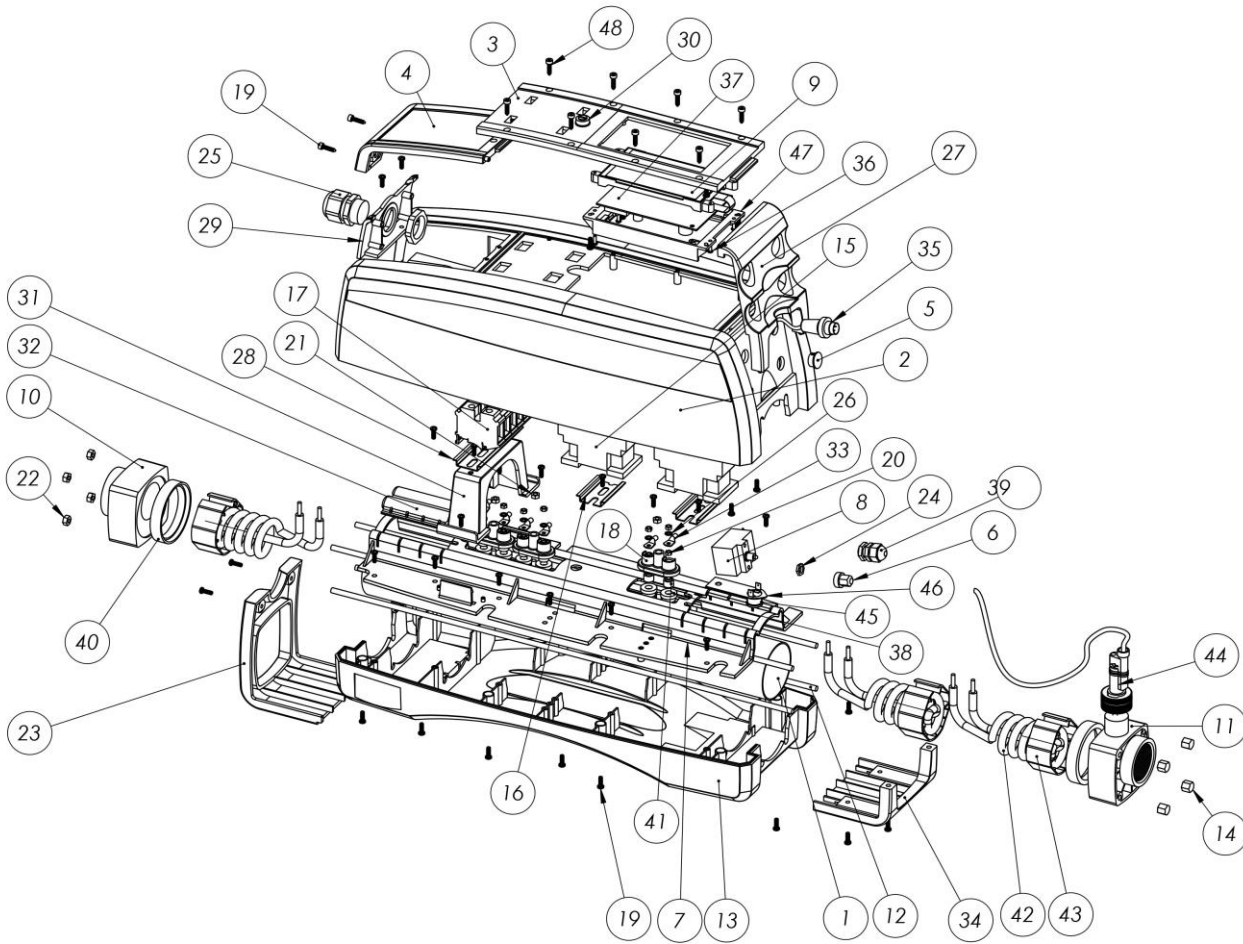
Optima Compact

SPARE PART LISTS

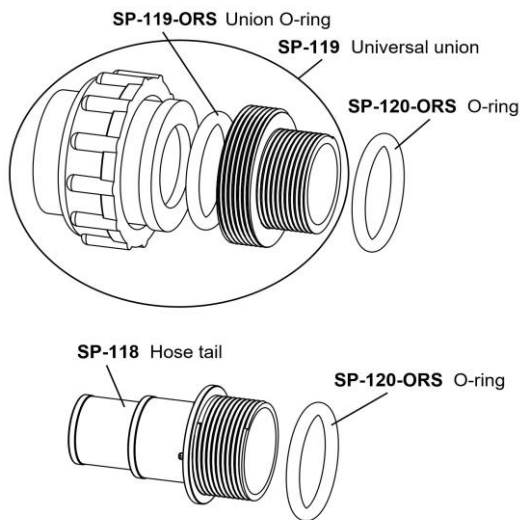


ELEGRÖ
ENGINEERING

Optima Compact Touchscreen



Water connections:



Item No.:	Description:	Power Output:	Pcs/Unit:	Electro Part Number:	GBP RRP (£)	EUR RRP (€)	USD RRP (\$)
1	Flow tube	All	1	See Tab.2	-	-	-
2	Electrical Enclosure (Top Cover)	All	1	Z-IM-OC-TC	78.75	90.56	110.25
3	Touch Screen Control Panel	All	1	Z-IM-OC-CP-DIG	10.50	12.08	14.70
4	Electrical Access Cover	All	1	Z-IM-OC-AC	9.45	10.87	13.23
5	PG9 Blanking Cap	All	2	Z-CON-PG9DBC	7.61	8.75	10.66
6	Safety Thermal Cut Out Cover	All	1	Z-MIS-HLS-CVR	7.61	8.75	10.66
7	Chassis Plate	All	1	Z-IM-OC-CP (Supplied With SP-MIS-HLS)	23.10	26.57	32.34
8	High Limit Safety Thermal Cut Out	All	1	SP-MIS-HLS (complete)	48.83	56.15	68.36
9	Touch Screen	All	1	Z-MIS-BMS-TS	70.88	81.51	99.23
10	Left End Fitting (NON F/S)	All	1	SP-117	25.73	29.58	36.02
11	Right End Fitting (F/S)	All	1	SP-117B	25.73	29.58	36.02
12	M6 Tie Bar	All	4	Z-STU-573	10.50	12.08	14.70
13	Base	All	1	Z-IM-OC-B	49.35	56.75	69.09
14	M6 Cap Nut	All	4	Z-FIX-M6CAP	5.51	6.34	7.72
15	Siemens Contactor	2 to 18kW Single Phase 6 to 18-kW 3-phase	2	SP-SIE-2023-40A	71.14	81.81	99.59
		24kW 3-phase	2	SP-SIE-2027-50A	140.70	161.81	196.98
16	55mm Din Rail	All	2	X-DIN-55	7.61	8.75	10.66
17	Terminal Block	2 to 18kW Single Phase	3	Z-MIS-TB130A	18.11	20.83	25.36
		6 to 18kW 220V 3-phase	4				
		6 to 24 kW 400V 3-phase	5				
		6 to 12kW Versatile	6				
18	Element Bridge	2 to 6kW Single Phase	1	Z-IM-EL-BRI	5.25	6.04	7.35
		9 to 12 kW Single Phase	2				
		6 to 24 kW 400V 3-phase 15 and 18 kW Single Phase	3				
19	M4x12 Enclosure Screws	All	30	Z-FIX-M4x12	1.58	1.81	2.21
20	M4 Hex Nut	2 to 6kW Single Phase	2	Z-FIX-M4HEX	4.20	4.83	5.88
		9 to 12 kW Single Phase	4				
		6 to 24 kW 400V 3-phase 15 and 18 kW Single Phase	6				
21	M5 Hex Nut	2 to 6kW Single Phase	1	Z-FIX-M5HEX	5.51	6.34	7.72
		9 to 12 kW Single Phase	2				
		6 to 24 kW 400V 3-phase 15 and 18 kW Single Phase	3				
22	M6 Hex Nut	All	4	Z-FIX-M6HEX	5.51	6.34	7.72
23	Lower Left Cover Panel	All	1	Z-IM-OC-DC-L	12.60	14.49	17.64
24	M8 Hex Nut	All	1	Z-FIX-M8HEX (Supplied With SP-MIS-HLS)	48.83	56.15	68.36
25	PG21 Cable Entry Gland	All	1	Z-CON-PG21BK + Z-CON-PG21NUT	18.11	20.83	25.36
26	M4 Locking Washer	2 to 6kW Single Phase	2	Z-FIX-M4LW	1.58	1.81	2.21
		9 to 12 kW Single Phase	4				
		6 to 24 kW 400V 3-phase 15 and 18 kW Single Phase	6				
27	Right Upper Cover Panel	All	1	Z-IM-OC-DC-RT-D	10.50	12.08	14.70
28	115mm Din Rail	All	1	X-DIN-115	13.13	15.09	18.38
29	Cable Entry Gland Panel	All	1	Z-IM-OC-CGH	10.50	12.08	14.70
30	Fuse Holder (Complete)	All	1	Z-MIS-FH	11.55	13.28	16.17
31	Terminal Block Bridge	All	1	Z-IM-OC-TBB	13.13	15.09	18.38
32	Capillary Bulb Holder	All	1	Z-IM-OC-BH	7.35	8.45	10.29
33	Copper Tube Terminal	All		Various	-	-	
34	Lower Right Cover Panel	All	1	Z-IM-OC-DC-RB	12.60	14.49	17.64
35	2 Way Connector Cable	All	1	Z-CAB-ILPM	19.69	22.64	27.56
36	M3x12 Flange Screw	All	4	Z-FIX-M3x12-FLG	1.58	1.81	2.21
37	PCB Digital Thermostat Board	All	1	Z-PCB-BMS	138.86	159.69	194.41
38	Element Ferrule	2 to 6kW Single Phase	2	Z-IM-EL-FER	7.88	9.06	11.03
		9 to 12 kW Single Phase	4				
		6 to 24 kW 400V 3-phase 15 and 18 kW Single Phase	6				
39	PG9 Entry Gland	All	2	Z-CON-PG9	7.88	9.06	11.03
40	End Fitting Gasket (pack of 2 pcs)	All	2	SP-117-GSK	7.35	8.45	10.29
41	Element Stepped Washer	2 to 6kW Single Phase	2	Z-IM-EL-SW	2.10	2.42	2.94
		9 to 12 kW Single Phase	4				
		6 to 24 kW 400V 3-phase 15 and 18 kW Single Phase	6				
42	Heating Element	All	1, 2, 3	See Tab.3	-	-	
43	Element Support	2 to 6kW Single Phase	1	Z-IM-EL-SUP	5.25	6.04	7.35
		9 to 12 kW Single Phase	2				
		6 to 24 kW 400V 3-phase 15 and 18 kW Single Phase	3				
44	Flow Switch	2 & 3kW	1	SP-107-OCD-A	40.69	46.79	56.96
		4 & 6kW		SP-107-OCD-B	40.69	46.79	56.96
		9kW & Greater		SP-107-OCD-C	40.69	46.79	56.96
45	High Limit Auto Reset 60C	All	1	Z-MIS-BS-60-40	14.96	17.21	20.95
46	High Limit Holder	All	1	Z-SMW-BSH	9.71	11.17	13.60
47	Digital Controller Mounting Bracket	All	1	Z-IM-OC-DIG-MB	10.50	12.08	14.70
48	M4x16 Socket Cap	All	8	Z-FIX-M4x16-SC-ST	1.58	1.81	2.21
1.5" BSP Hose Tail for 1.5/1.25" Flexible Pipe		All	2	SP-118	11.03	12.68	15.44
1.5" BSP Universal Union for 1.5"/50-mm Pipe		All	2	SP-119	16.80	19.32	23.52
O-Rings (pack of 2 pcs)		All	2	SP-120-ORS	2.10	2.42	2.94
44mm x 6mm Union O-Ring (pack of 2 pcs)		All	2	SP-119-ORS	7.88	9.06	11.03

1. Replacement Tank Assemblies.

Single Phase Power Output:	Titanium Flow tube with Titanium Heating Element Part Code:	GBP RRP (£)	EUR RRP (€)	USD RRP (\$)	Description:
2-kW	SP-TA-OCP-1-2	309.75	356.2125	433.65	2-kW 500-mm Replacement Tank Assembly
3-kW	SP-TA-OCP-1-3	311.33	358.02375	435.86	3-kW 500-mm Replacement Tank Assembly
4.5-kW	SP-TA-OCP-1-4	322.88	371.30625	452.03	4.5-kW 500-mm Replacement Tank Assembly
6-kW	SP-TA-OCP-1-6	331.01	380.66438	463.42	6-kW 500-mm Replacement Tank Assembly
9-kW	SP-TA-OCP-1-9	360.15	414.1725	504.21	9-kW 500-mm Replacement Tank Assembly
12-kW	SP-TA-OCP-1-12	370.65	426.2475	518.91	12-kW 500-mm Replacement Tank Assembly
15-kW	SP-TA-OCP-1-15	428.14	492.35813	599.39	15-kW 500-mm Replacement Tank Assembly
18-kW	SP-TA-OCP-1-18	432.86	497.79188	606.01	18-kW 500-mm Replacement Tank Assembly
3-Phase Power Output:	Titanium Flow tube with Titanium Heating Element Part Code:	GBP RRP (£)	EUR RRP (€)	USD RRP (\$)	Description:
6-kW	SP-TA-OCP-3-6	413.44	475.45	578.81	6-kW 500-mm Replacement Tank Assembly
9-kW	SP-TA-OCP-3-9	418.16	480.89	585.43	9-kW 500-mm Replacement Tank Assembly
12-kW	SP-TA-OCP-3-12	423.15	486.62	592.41	12-kW 500-mm Replacement Tank Assembly
15-kW	SP-TA-OCP-3-15	428.14	492.36	599.39	15-kW 500-mm Replacement Tank Assembly
18-kW	SP-TA-OCP-3-18	432.86	497.79	606.01	18-kW 500-mm Replacement Tank Assembly
24-kW	SP-TA-OCP-3-24	507.68	583.83	710.75	24-kW 500-mm Replacement Tank Assembly

2. Replacement Flow Tubes

Description:	Power Output:	Pcs/Unit:	Titanium Part Code:	GBP RRP (£)	EUR RRP (€)	USD RRP (\$)
Flow tube	up to 6-kW Single Phase	1	X-TUB-Ti500-1E-OC	157.76	181.43	220.87
	9-kW & 12-kW Single Phase		X-TUB-Ti500-2E-OC	157.76	181.43	220.87
	15, 18-kW Single Phase & All 3-Phase		X-TUB-Ti500-3E-C	157.76	181.43	220.87

3. Replacement Heating Elements

Single Phase Power Output:	Titanium Heating Element Part Code:	GBP RRP (£)	EUR RRP (€)	USD RRP (\$)	Pcs/Unit:	Description:
2-kW	SP-EL-Ti2KW7T	117.86	135.5419	165.01	1	2-kW Replacement Heating Element Kit
3-kW	SP-EL-Ti2.9KW7T	124.95	143.6925	174.93	1	2.9-kW Replacement Heating Element Kit
4.5-kW	SP-EL-Ti4.5KW7T	130.99	150.6356	183.38	1	4.5-kW Replacement Heating Element Kit
6-kW	SP-EL-Ti6KW7T	140.96	162.1069	197.35	1	6-kW Replacement Heating Element Kit
9-kW	SP-EL-Ti4.5KW7T	130.99	150.6356	183.38	2	4.5-kW Replacement Heating Element Kit
12-kW	SP-EL-Ti6KW7T	140.96	162.1069	197.35	2	6-kW Replacement Heating Element Kit
15-kW	SP-EL-Ti5KW7T	135.98	156.3713	190.37	3	5-kW Replacement Heating Element Kit
18-kW	SP-EL-Ti6KW7T	140.96	162.1069	197.35	3	6-kW Replacement Heating Element Kit
3-Phase Power Output:	Titanium Heating Element Part Code:	GBP RRP (£)	EUR RRP (€)	USD RRP (\$)	Pcs/Unit:	Description:
6-kW	SP-EL-Ti2KW7T	117.86	135.5419	165.01	3	2-kW Replacement Heating Element Kit
9-kW	SP-EL-Ti2.9KW7T	124.95	143.6925	174.93	3	2.9-kW Replacement Heating Element Kit
12-kW	SP-EL-Ti4KW7T	128.57	147.8584	180.00	3	4-kW Replacement Heating Element Kit
15-kW	SP-EL-Ti5KW7T	135.98	156.3713	190.37	3	5-kW Replacement Heating Element Kit
18-kW	SP-EL-Ti6KW7T	140.96	162.1069	197.35	3	6-kW Replacement Heating Element Kit
24-kW	SP-EL-Ti8KW7T	151.73	174.4838	212.42	3	6-kW Replacement Heating Element Kit



Improving pools *globally*

11 Gunnels Wood Park, Gunnels Wood Road,
Stevenage, Hertfordshire, SG1 2BH, UK

Tel: +44 1438 749 474

Email: sales@elecro.co.uk

Web: www.elecro.co.uk

We reserve the right to change all or part of the features of the articles
or contents of this document, without prior notice.

SPL136-EN-Optima Compact Spare Parts List V2-02.11.2021-Elecro