

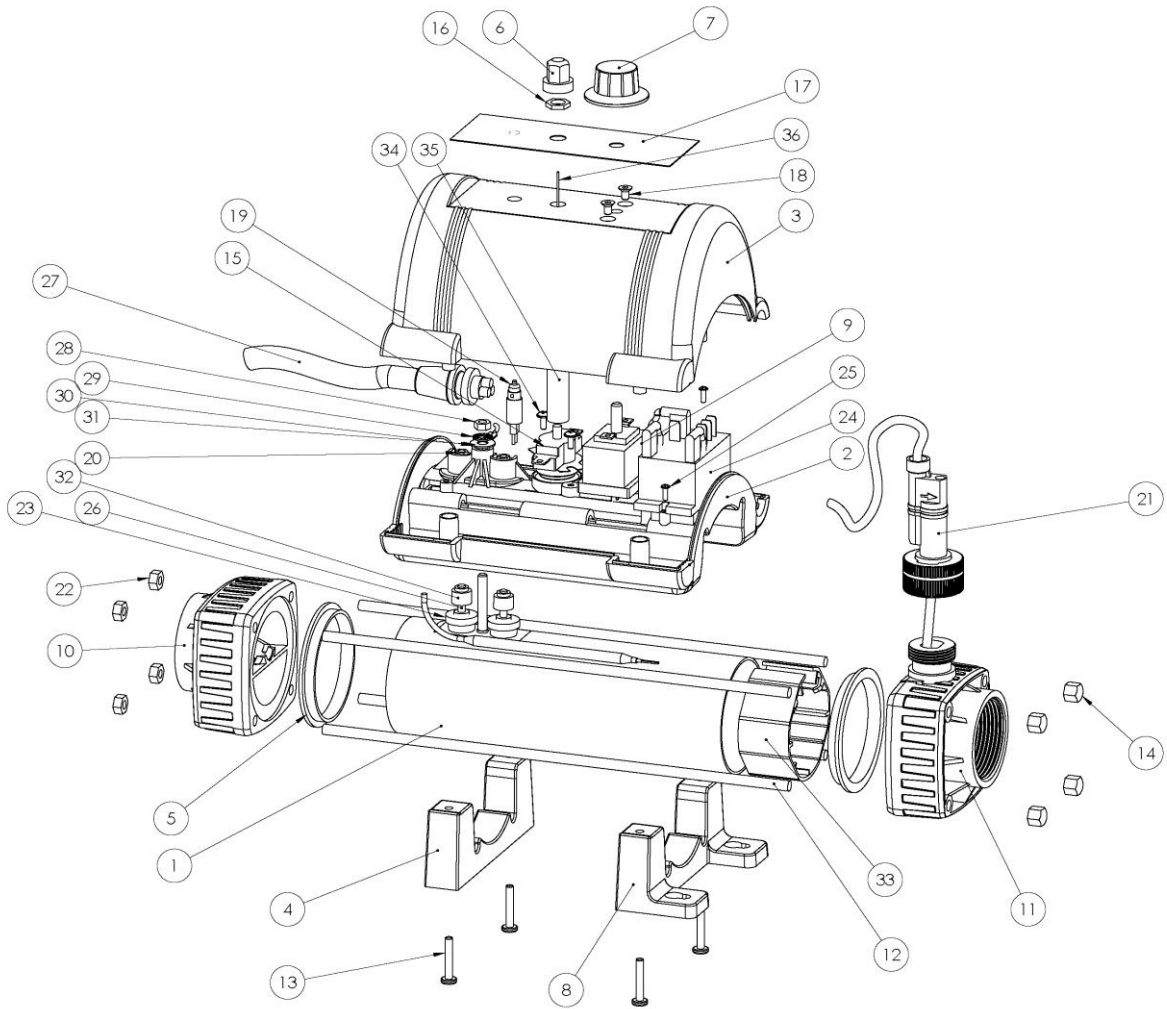
Nano SPA

SPARE PART LISTS

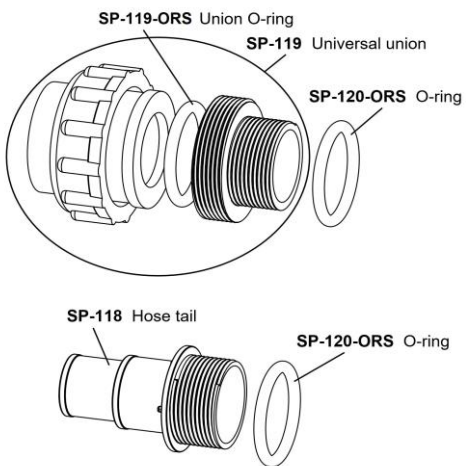


ELECRO
ENGINEERING

Nano SPA



Water connections:



| Item No.: | Description: | Pcs/Unit: | Part Number: | GBP RRP (£) | EUR RRP (€) | USD RRP (£) |
|-----------|--|-----------|-------------------|-------------|-------------|-------------|
| 1 | Titanium Flow Tube | | X-TUB-TI200-1E | 109.46 | 125.88 | 153.24 |
| 2 | Electrical Bottom Cover / Bridge | 1 | Z-IM-NO-BC | 19.16 | 22.04 | 26.83 |
| 3 | Electrical Top Cover | 1 | Z-IM-NO-TC-BLU | 28.61 | 32.90 | 40.06 |
| 4 | Lower Foot (Without Key Hole Hooks) | 1 | Z-IM-NO-FL | 16.01 | 18.41 | 22.42 |
| 5 | TPE End Fitting Gasket | 2 | SP-117-GSK | 3.68 | 4.23 | 5.15 |
| 6 | Thermal Safety Cut-Out Cover | 1 | Z-MIS-HLS-CVR | 7.61 | 8.75 | 10.66 |
| 7 | Control Thermostat Dial | 1 | Z-MIS-CS-DIAL | 3.68 | 4.23 | 5.15 |
| 8 | Upper Foot (With Key Hole Hooks) | 1 | Z-IM-NO-FU | 21.53 | 24.75 | 30.14 |
| 9 | Control Thermostat | 1 | SP-MIS-CS | 43.84 | 50.41 | 61.37 |
| 10 | Left End Fitting (Non F/S) | 1 | SP-117 | 25.73 | 29.58 | 36.02 |
| 11 | Right End Fitting (F/S) | 1 | SP-117B | 25.73 | 29.58 | 36.02 |
| 12 | 273-mm M6 Tie Bar | 4 | Z-STU-273 | 8.40 | 9.66 | 11.76 |
| 13 | M4 x 25-mm Zinc Coated Pozi Pan Screw | 4 | Z-FIX-M4X25 | 4.20 | 4.83 | 5.88 |
| 14 | M6 Cap Nut | 4 | Z-FIX-M6CAP | 5.51 | 6.34 | 7.72 |
| 15 | Thermal Safety Cut Out (Manual | 1 | Z-MIS-BS-60-50 | 19.43 | 22.34 | 27.20 |
| 16 | M8 Hex Nut (For Thermal Cut Out) | 1 | Supplied with #15 | - | - | |
| 17 | Nano SPA Ops Panel Overlay | 1 | Z-LAB-N-SPA | 8.66 | 9.96 | 12.13 |
| 18 | M4 x 6-mm S/S CSK | 2 | Z-FIX-M4X6CS | 1.58 | 1.81 | 2.21 |
| 19 | Neon Indicator Lamp | 1 | Z-MIS-NEON | 5.25 | 6.04 | 7.35 |
| 20 | M4 Hex Nut | 2 | Z-FIX-M4HEX | 4.20 | 4.83 | 5.88 |
| 21 | Nano Flow Switch | 1 | SP-107-N-S | 40.69 | 46.79 | 56.96 |
| 22 | M6 S/S Hex Nut | 4 | Z-FIX-M6HEX | 5.51 | 6.34 | 7.72 |
| 23 | EPDM Element Ferrule | 2 | Z-IM-EL-FER | 7.88 | 9.06 | 11.03 |
| 24 | Surface Mount Relay | 1 | SP-109 | 27.56 | 31.70 | 38.59 |
| 25 | M3 x 14 -mm FLG Pozi Zinc Coated | 2 | Z-FIX-M3X12-FLG | 1.58 | 1.81 | 2.21 |
| 26 | Heating Element | 1 | Refer to Table 1 | - | - | |
| 27 | Power Supply Lead | 1 | X-CAB-N-SPA-R | 30.45 | 35.02 | 42.63 |
| 28 | M5 S/S Full Hex Nut | 1 | Z-FIX-M5HEX | 5.51 | 6.34 | 7.72 |
| 29 | M5 S/S Locking Washer | 1 | Z-FIX-M5LW | 5.51 | 6.34 | 7.72 |
| 30 | Earth Ring Terminal | 1 | Z-CON-YR53 | 7.61 | 8.75 | 10.66 |
| 31 | M5 S/S Half Hex Nut | 1 | Z-FIX-M5HEX-N | 5.51 | 6.34 | 7.72 |
| 32 | Stepped Element Washer | 2 | Z-IM-EL-SW | 2.10 | 2.42 | 2.94 |
| 33 | Element Support | 1 | Z-IM-EL-SUP | 5.25 | 6.04 | 7.35 |
| 34 | M3 x 8 -mm FLG Pozi Zinc Coated | 2 | Z-FIX-M3X8FLG | 1.89 | 2.17 | 2.65 |
| 35 | Button Stat Holder | 1 | Z-MIS-N-BSH | 11.55 | 13.28 | 16.17 |
| 36 | Resetting pin | 1 | Z-MIS-N-RS | 2.63 | 3.02 | 3.68 |
| * | Nano Element Fixing Kit (Comprising of: 2x20, 2x23, 1x28, 1x29, 1x31, 2x32 & 1x33) | 1 | SP-EL-FIX-NANO | 11.81 | 13.58 | 16.54 |

| | | | | | |
|--|---|------------|-------|-------|-------|
| 1.5" BSP Hose Tail for 1.5/1.25" Flexible Pipe | 2 | SP-118 | 11.03 | 12.68 | 15.44 |
| 1.5" BSP Universal Union for 1.5"/50-mm Pipe | 2 | SP-119 | 16.80 | 19.32 | 23.52 |
| O-Rings (pack of 2 pcs) | 2 | SP-120-ORS | 2.10 | 2.42 | 2.94 |
| 44mm x 6mm Union O-Ring (pack of 2pcs) | 2 | SP-119-ORS | 7.35 | 8.45 | 10.29 |

Table 1. Replacement Heating Elements

| Product Code: | Part Code: | GBP RRP (£) | EUR RRP (€) | USD RRP (\$) | No. | Description: |
|---------------|-----------------|-------------|-------------|--------------|-----|-----------------------|
| N-SPA-T1-R | SP-EL-Ti1KW7T | 111.3 | 128.00 | 155.82 | 1 | 1-kW Titanium Heating |
| N-SPA-T2-R | SP-EL-Ti2KW7T | 117.86 | 135.54 | 165.01 | 1 | 2-kW Titanium Heating |
| N-SPA-T3-R | SP-EL-Ti2.8KW7T | 124.95 | 143.69 | 174.93 | 1 | 3-kW Titanium Heating |
| N-SPA-T4-R | SP-EL-Ti4KW7T | 128.57 | 147.86 | 180.00 | 1 | 4-kW Titanium Heating |
| N-SPA-T4.5-R | SP-EL-Ti4.5KW7T | 130.99 | 150.64 | 183.38 | 1 | 4.5-kW Titanium |
| N-SPA-T5-R | SP-EL-Ti5KW7T | 135.98 | 156.37 | 190.37 | 1 | 5-kW Titanium Heating |
| N-SPA-T6-R | SP-EL-Ti6KW7T | 140.96 | 162.11 | 197.35 | 1 | 6-kW Titanium Heating |
| N-SPA-T8-R | SP-EL-Ti8KW7T | 151.73 | 174.48 | 212.42 | 1 | 8-kW Titanium Heating |

Improving pools *globally*

11 Gunnels Wood Park, Gunnels Wood Road,
Stevenage, Hertfordshire, SG1 2BH, UK

Tel: +44 1438 749 474

Email: sales@elecro.co.uk

Web: www.elecro.co.uk

We reserve the right to change all or part of the features of the articles
or contents of this document, without prior notice.

SPL106-EN-NANO SPA SPARE PARTS LIST V2-27.10.2021-ELECRO