

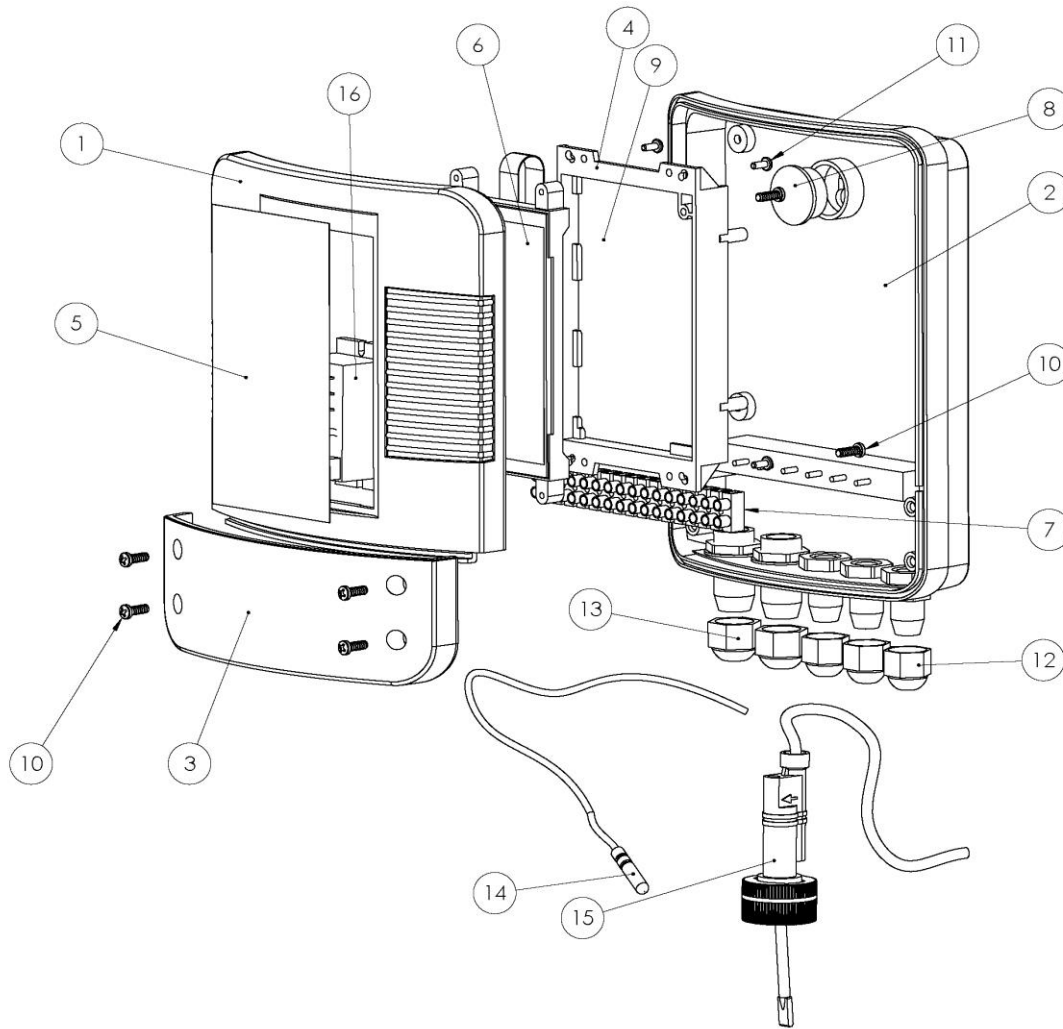
Heatsmart *plus* Koolsmart *plus*

SPARE PART LISTS



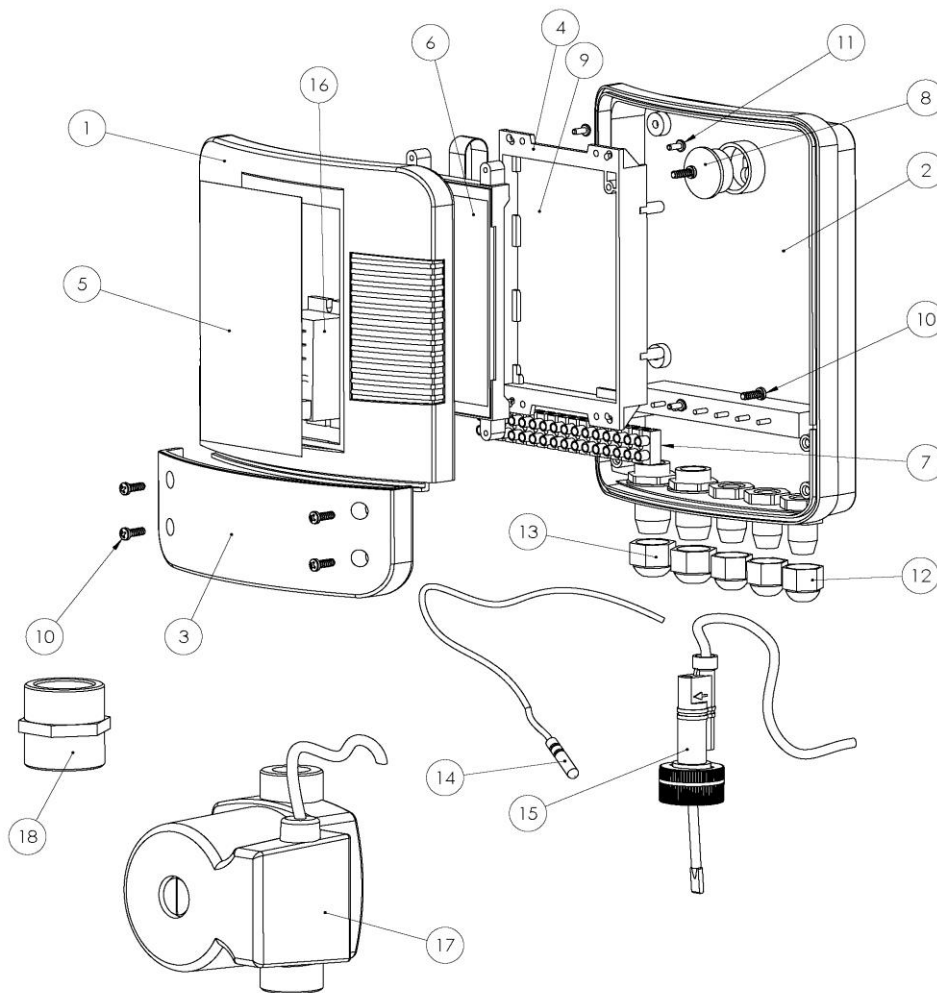
ELECR
ENGINEERING

Heatsmart & Koolsmart



Item No.:	Description:	Pcs/Unit:	Product Code:	GBP RRP (£)	EUR RRP (€)	USD RRP (\$)
1	PoolSmart Plus T/S Front Cover (Red)	1	Z-IM-SR-C-FC-HS	15.23	17.51	21.32
2	Solar Controller Enclosure	1	Z-IM-SR-C-ENC	25.99	29.89	36.38
3	PoolSmart Plus Access Cover (Red)	1	Z-IM-SR-C-AC-HS	12.08	13.89	16.91
4	Digital Controller Mounting Bracket	1	Z-IM-OC-DIG-MB	10.50	12.08	14.70
5	PoolSmart Plus Touchscreen Controller Overlay	1	Z-LAB-PS-PLUS	15.23	17.51	21.32
6	Touchscreen For BMS Digital Thermostat	1	Z-MIS-BMS-TS	70.88	81.51	99.23
7	12-Way 1.5mm2 Ensto Terminal Block	1	Z-MIS-TB1.5MM2	12.86	14.79	18.01
8	Solar Controller Enclosure Blanking Disc	1	Z-IM-SR-C-BD	3.68	4.23	5.15
9	PCB For BMS Digital Thermostat	1	Z-PCB-BMS	138.86	159.69	194.41
10	M4 x 25-mm Zinc Coated Pozi Pan Screw	8	Z-FIX-M4X25	1.58	1.81	2.21
11	M3 x 12 -mm FLG Pozi Zinc Coated	4	Z-FIX-M3X12-FLG	1.58	1.81	2.21
12	Black PG9 Cable Entry Gland (Inc Back Nut)	3	Z-CON-PG9BK	7.88	9.06	11.03
13	Black PG11 Cable Entry Gland (Inc Back Nut)	2	Z-CON-PG11BK + Z-CON-PG11NUT	13.91	16.00	19.48
14	NTC Temperature Sensor	1	SP-HE-NTC	32.29	37.13	45.20
15	Flow Switch	1	U-FS-HE	40.69	46.79	56.96
16	Surface Mount Mini Relay	1	Z-MIS-SMMR	15.23	17.51	21.32

Heatsmart & Koolsmart with booster pump



Item No.:	Description:	Pcs/Unit:	Product Code:	GBP RRP (£)	EUR RRP (€)	USD RRP (\$)
1	PoolSmart Plus T/S Front Cover (Red)	1	Z-IM-SR-C-FC-HS	15.23	17.51	21.32
2	Solar Controller Enclosure	1	Z-IM-SR-C-ENC	25.99	29.89	36.38
3	PoolSmart Plus Access Cover (Red)	1	Z-IM-SR-C-AC-HS	12.08	13.89	16.91
4	Digital Controller Mounting Bracket	1	Z-IM-OC-DIG-MB	10.50	12.08	14.70
5	PoolSmart Plus Touchscreen Controller Overlay	1	Z-LAB-PS-PLUS	15.23	17.51	21.32
6	Touchscreen For BMS Digital Thermostat	1	Z-MIS-BMS-TS	70.88	81.51	99.23
7	12-Way 1.5mm2 Ensto Terminal Block	1	Z-MIS-TB1.5MM2	12.86	14.79	18.01
8	Solar Controller Enclosure Blanking Disc	1	Z-IM-SR-C-BD	3.68	4.23	5.15
9	PCB For BMS Digital Thermostat	1	Z-PCB-BMS	138.86	159.69	194.41
10	M4 x 25-mm Zinc Coated Pozi Pan Screw	8	Z-FIX-M4X25	1.58	1.81	2.21
11	M3 x 12 -mm FLG Pozi Zinc Coated	4	Z-FIX-M3X12-FLG	1.58	1.81	2.21
12	Black PG9 Cable Entry Gland (Inc Back Nut)	3	Z-CON-PG9BK	7.88	9.06	11.03
13	Black PG11 Cable Entry Gland (Inc Back Nut)	2	Z-CON-PG11BK + Z-CON-PG11NUT	13.91	16.00	19.48
14	NTC Temperature Sensor	1	SP-HE-NTC	32.29	37.13	45.20
15	Flow Switch	1	U-FS-HE	40.69	46.79	56.96
16	Surface Mount Mini Relay	1	Z-MIS-SMMR	15.23	17.51	21.32
17	Grundfos Pump	1	Z-HEC-GP	204.75	235.46	286.65
18	1" BSP Female / Female Brass Adapter	1	Z-HEC-1BSPFF	13.13	15.09	18.38



ELECR0
ENGINEERING

Improving pools *globally*

11 Gunnels Wood Park, Gunnels Wood Road,
Stevenage, Hertfordshire, SG1 2BH, UK

Tel: +44 1438 749 474

Email: sales@elecra.co.uk

Web: www.elecra.co.uk

We reserve the right to change all or part of the features of the articles
or contents of this document, without prior notice.

SPL46-EN-G2 SPARE PARTS LIST V2-26.10.2021