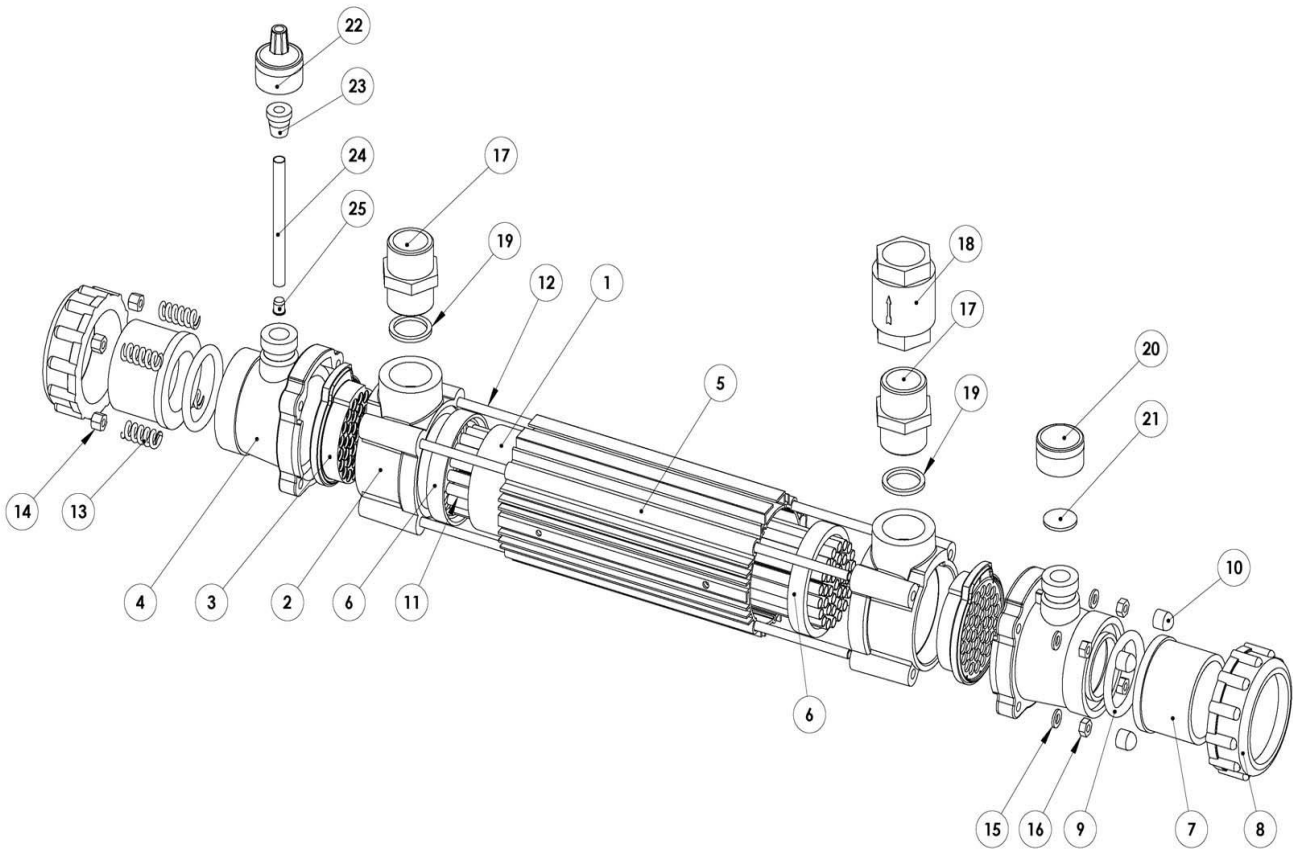


# G2 Heat Exchanger

## SPARE PART LISTS



# G2 Heat Exchanger



Item No.:	Description:	Pcs/Unit:	Item Code				GBP RRP (£)			
			G2-HE-30T	G2-HE-49T	G2-HE-85T	G2-HE-122T	G2-HE-30T	G2-HE-49T	G2-HE-85T	G2-HE-122T
1	Flow Tube	1	X-TUB-G2HE-200	X-TUB-G2HE-370	X-TUB-G2HE-500	X-TUB-G2HE-660	77.70	86.63	116.81	131.25
2	Primary Connection Coupling	2	Z-IM-HE-PC				25.73			
3	Tube Sheet (pack of 2 pcs)	2	SP-HE-TS				31.50			
4	Secondary Connection Coupling	2	Z-IM-HE-SC				25.73			
5	G2 Insulating Shell	1	Z-SMW-HE-S-25	Z-SMW-HE-S-40	Z-SMW-HE-S-70	Z-SMW-HE-S-100	18.01	24.99	31.50	38.22
6	HNBR Flow Tube Gasket (pack of 2 pcs)	2	SP-HE-GSK				30.45			
7	Union Insert 1.5" / 50-mm	2	SP-119-HE				16.80			
8	2.25" Union Locking Nut Union O-Ring									
9	Union O-Ring (pack of 2 pcs)	2	SP-119-ORS				3.94			
10	M6 Black Nut Cover	4	Z-HEC-TPC				1.31			
11	7-mm OD Titanium Tubes	37	Z-TUB-Ti7-J300	Z-TUB-Ti7-J370	Z-TUB-Ti7-J600	Z-TUB-Ti7-J760	8.14	12.60	16.01	19.16
12	M6 Tie Bar	4	Z-STU-368	Z-STU-538	Z-STU-668	Z-STU-828	8.40	10.50	11.55	12.60
13	Tension Spring	4	Z-HEC-SPRING				4.20			
14	M6 Cap Nut	4	Z-FIX-M6CAP				5.51			
15	M6 Flat Washer	4	Z-FIX-M6FW				5.51			
16	M6 Hex Nut	4	Z-FIX-M6HEX				5.51			
17	1" BSP Male / Male Brass Primary Nipple Connection	2	Z-HEC-1BSPMM				10.76			
18	1" BSP female / female Brass 1-Way Non-Return Valve	1	Z-HEC-1BSP0WV				19.43			
19	EPDM Primary Nipple Gasket Seal	2	Z-IM-HE-NS				2.10			
20	Blanking Cap	1	Z-IM-HE-BC				6.83			
21	24-mm Coin Gasket Seal	1	Z-HEC-CG				1.58			
22	Thermostat Connection Cap	1	Z-IM-HE-SPC				11.55			
23	EPDM Thermostat Pocket Ferrule	1	Z-IM-EL-FER				7.88			
24	8.5-mm OD Titanium Thermostat Pocket	1	Z-TUB-Ti8.5-90				7.88			
25	EPDM Thermostat Pocket Seal	1	Z-IM-GSK-BUNG				3.68			

Item No.:	Description:	Pcs/Unit:	G2-HE-30T	G2-HE-49T	G2-HE-85T	G2-HE-122T	EUR RRP (€)			
							G2-HE-30T	G2-HE-49T	G2-HE-85T	G2-HE-122T
1	Flow Tube	1	X-TUB-G2HE-200	X-TUB-G2HE-370	X-TUB-G2HE-500	X-TUB-G2HE-660	89.36	99.62	134.33	150.94
2	Primary Connection Coupling	2	Z-IM-HE-PC				29.58			
3	Tube Sheet (pack of 2 pcs)	2	SP-HE-TS				36.23			
4	Secondary Connection Coupling	2	Z-IM-HE-SC				29.58			
5	G2 Insulating Shell	1	Z-SMW-HE-S-25	Z-SMW-HE-S-40	Z-SMW-HE-S-70	Z-SMW-HE-S-100	20.71	28.74	36.23	43.95
6	HNBR Flow Tube Gasket (pack of 2 pcs)	2	SP-HE-GSK				35.02			
7	Union Insert 1.5" / 50-mm	2	SP-119-HE				19.32			
8	2.25" Union Locking Nut Union O-Ring									
9	Union O-Ring (pack of 2 pcs)	2	SP-119-ORS				4.53			
10	M6 Black Nut Cover	4	Z-HEC-TPC				1.51			
11	7-mm OD Titanium Tubes	37	Z-TUB-Ti7-J300	Z-TUB-Ti7-J370	Z-TUB-Ti7-J600	Z-TUB-Ti7-J760	8.14	12.60	16.01	19.16
12	M6 Tie Bar	4	Z-STU-368	Z-STU-538	Z-STU-668	Z-STU-828	9.66	12.08	13.28	14.49
13	Tension Spring	4	Z-HEC-SPRING				4.83			
14	M6 Cap Nut	4	Z-FIX-M6CAP				6.34			
15	M6 Flat Washer	4	Z-FIX-M6FW				6.34			
16	M6 Hex Nut	4	Z-FIX-M6HEX				6.34			
17	1" BSP Male / Male Brass Primary Nipple Connection	2	Z-HEC-1BSPMM				12.38			
18	1" BSP female / female Brass 1-Way Non-Return Valve	1	Z-HEC-1BSP0WV				22.34			
19	EPDM Primary Nipple Gasket Seal	2	Z-IM-HE-NS				2.42			
20	Blanking Cap	1	Z-IM-HE-BC				7.85			
21	24-mm Coin Gasket Seal	1	Z-HEC-CG				1.81			
22	Thermostat Connection Cap	1	Z-IM-HE-SPC				13.28			
23	EPDM Thermostat Pocket Ferrule	1	Z-IM-EL-FER				9.06			
24	8.5-mm OD Titanium Thermostat Pocket	1	Z-TUB-Ti8.5-90				9.06			
25	EPDM Thermostat Pocket Seal	1	Z-IM-GSK-BUNG				4.23			

Item No.:	Description:	Pcs/Unit:	Item Code				USD RRP (\$)			
			G2-HE-30T	G2-HE-49T	G2-HE-85T	G2-HE-122T	G2-HE-30T	G2-HE-49T	G2-HE-85T	G2-HE-122T
1	Flow Tube	1	X-TUB-G2HE-200	X-TUB-G2HE-370	X-TUB-G2HE-500	X-TUB-G2HE-660	108.78	121.28	163.54	183.75
2	Primary Connection Coupling	2	Z-IM-HE-PC				36.02			
3	Tube Sheet (pack of 2 pcs)	2	SP-HE-TS				44.10			
4	Secondary Connection Coupling	2	Z-IM-HE-SC				36.02			
5	G2 Insulating Shell	1	Z-SMW-HE-S-25	Z-SMW-HE-S-40	Z-SMW-HE-S-70	Z-SMW-HE-S-100	25.21	34.99	44.10	53.51
6	HNBR Flow Tube Gasket (pack of 2 pcs)	2	SP-HE-GSK				42.63			
7	Union Insert 1.5" / 50-mm	2	SP-119-HE				23.52			
8	2.25" Union Locking Nut Union O-Ring									
9	Union O-Ring (pack of 2 pcs)	2	SP-119-ORS				5.51			
10	M6 Black Nut Cover	4	Z-HEC-TPC				1.84			
11	7-mm OD Titanium Tubes	37	Z-TUB-Ti7-J300	Z-TUB-Ti7-J370	Z-TUB-Ti7-J600	Z-TUB-Ti7-J760	11.39	17.64	22.42	26.83
12	M6 Tie Bar	4	Z-STU-368	Z-STU-538	Z-STU-668	Z-STU-828	11.76	14.70	16.17	17.64
13	Tension Spring	4	Z-HEC-SPRING				5.88			
14	M6 Cap Nut	4	Z-FIX-M6CAP				7.72			
15	M6 Flat Washer	4	Z-FIX-M6FW				7.72			
16	M6 Hex Nut	4	Z-FIX-M6HEX				7.72			
17	1" BSP Male / Male Brass Primary Nipple Connection	2	Z-HEC-1BSPMM				15.07			
18	1" BSP female / female Brass 1-Way Non-Return Valve	1	Z-HEC-1BSPWV				27.20			
19	EPDM Primary Nipple Gasket Seal	2	Z-IM-HE-NS				2.94			
20	Blanking Cap	1	Z-IM-HE-BC				9.56			
21	24-mm Coin Gasket Seal	1	Z-HEC-CG				2.21			
22	Thermostat Connection Cap	1	Z-IM-HE-SPC				16.17			
23	EPDM Thermostat Pocket Ferrule	1	Z-IM-EL-FER				11.03			
24	8.5-mm OD Titanium Thermostat Pocket	1	Z-TUB-Ti8.5-90				11.03			
25	EPDM Thermostat Pocket Seal	1	Z-IM-GSK-BUNG				5.15			