

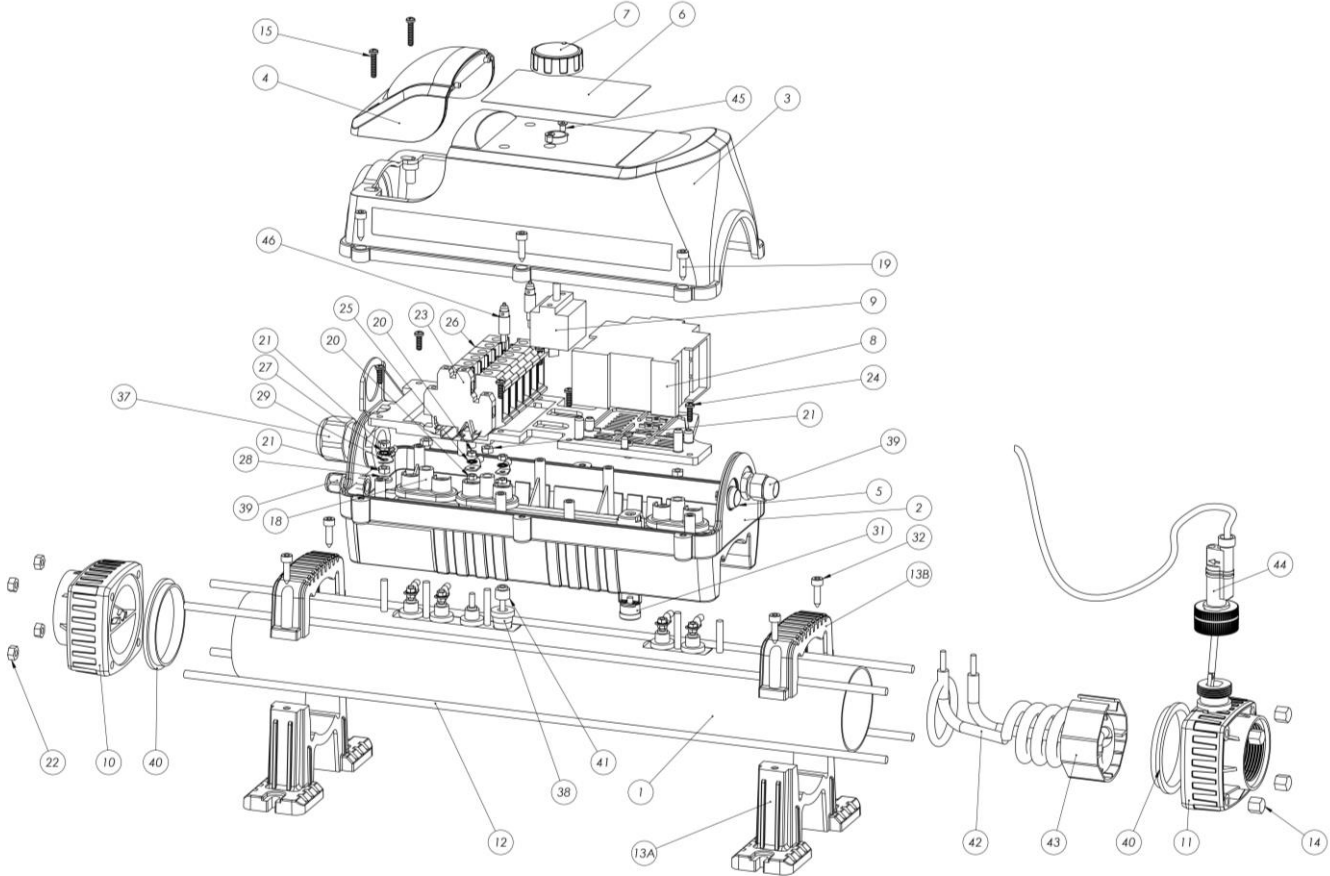
Evolution 2

SPARE PART LISTS

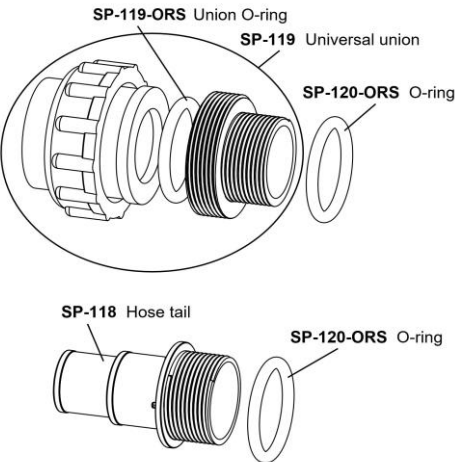


ELECR
ENGINEERING

Evo 2 Analogue



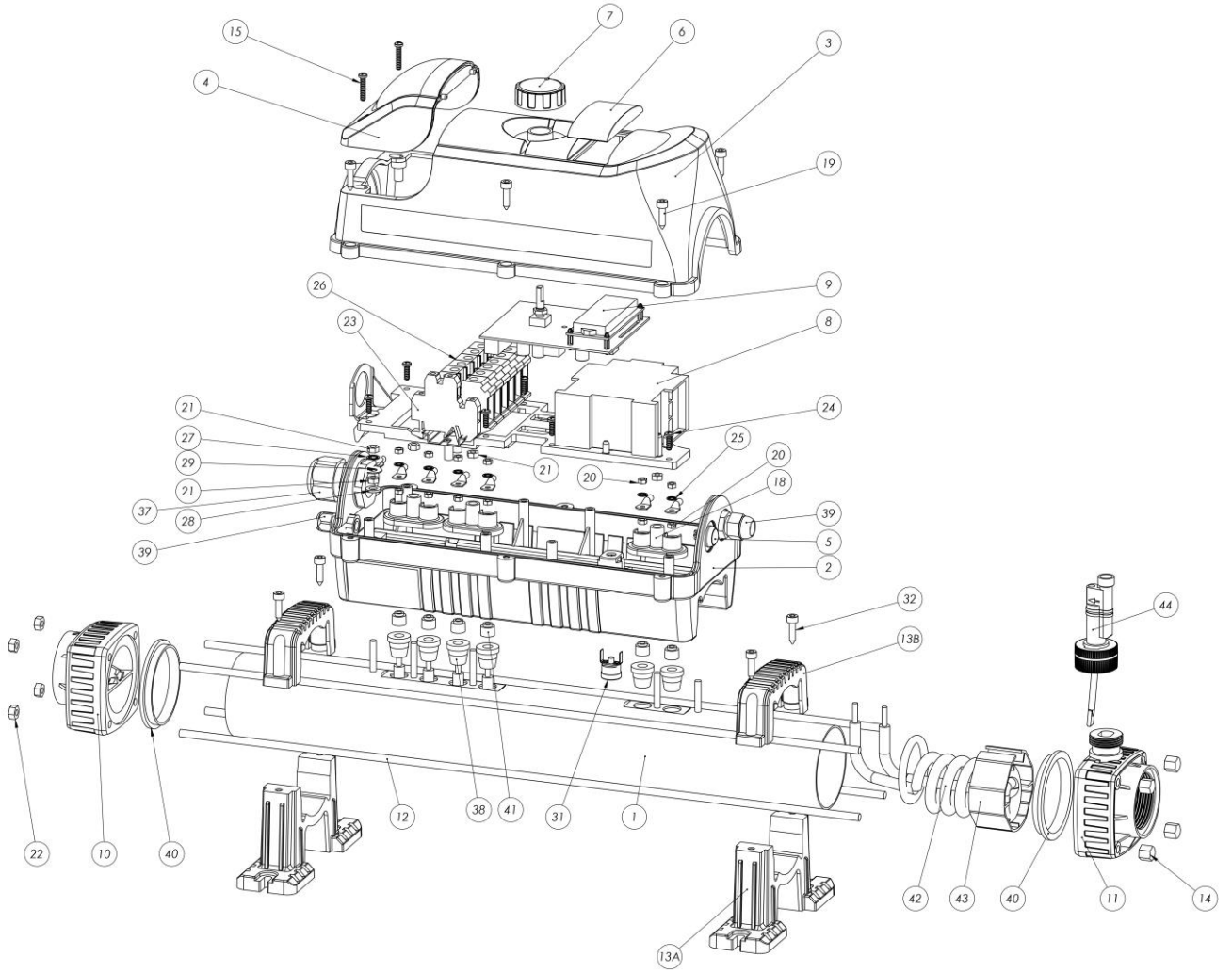
Water connections:



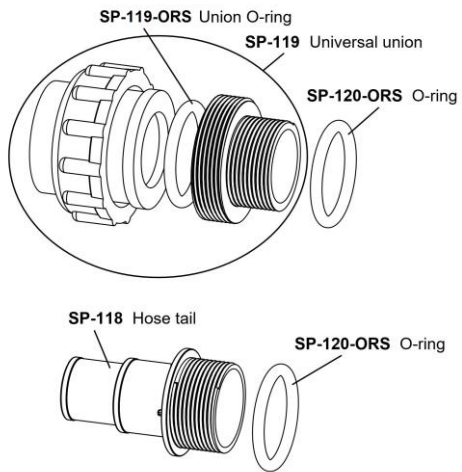
Item No.:	Description:	Power Output:	Pcs/Unit:	Part Code:	GBP RRP (£)	EUR RRP (€)	USD RRP (\$)
1	Flow tube	All	1	See Table 2	-	-	-
2	Electrical Enclosure Base	All	1	Z-IM-E2-BC	21	24.15	29.40
3	Analogue Front Cover	All	1	Z-IM-E2-ANA-TC	28.88	33.21	40.43
4	Electrical Access Cover	All	1	Z-IM-E2-AC	7.88	9.06	11.03
5	Test Button	All	1	Z-MIS-PBS	9.98	11.48	13.97
6	Ops Panel Overlay	All	1	Z-LAB-EVO2	9.71	11.17	13.59
7	Control Thermostat Dial	All	1	Z-IM-OC-ANA	7.88	9.06	11.03
8	Contactor	up to 18-kW 3-Phase 400V up to 9-kW 3-Phase 230V	1	SP-SIE-2023-40A	71.14	81.81	99.60
		24-kW 3-Phase 400V 12, 15 & 18-kW 3-Phase 230V	1	SP-SIE-2027-50A	140.71	161.82	196.99
9	Analogue Control Thermostat	All	1	SP-MIS-CS-E2	43.84	50.42	61.38
10	Left End Fitting (NON F/S)	All	1	SP-117	25.73	29.59	36.02
11	Right End Fitting (F/S)	All	1	SP-117B	25.73	29.59	36.02
12	M6 Tie Bar	up to 12-kW Single Phase 230V	4	Z-STU-443	9.45	10.87	13.23
		15-kW & 18-kW Single Phase All 3-Phase	4	Z-STU-573	10.5	12.08	14.70
13A	Foot Lower	All	2	Z-IM-E2-FL	12.07	13.88	16.90
13B	Foot Upper	All	2	Z-IM-E2-FU	5.25	6.04	7.35
14	M6 Dome / Cap Nut	All	4	Z-FIX-M6CAP	5.51	6.34	7.71
15	M4x25 Pozi Pan Screw	All	2	Z-FIX-M4x25	1.58	1.82	2.21
18	Element Bridge	up to 6-kW Single Phase	1	Z-IM-EL-BRI	5.25	6.04	7.35
		9-kW & 12-kW Single Phase	2				
		15-kW & 18-kW Single Phase All 3-Phase	3				
19	Enclosure Screws	All	7	Z-FIX-M4.8x19STS-SC	5.51	6.34	7.71
20	M4 Hex Nut	up to 6-kW Single Phase	2	Z-FIX-M4HEX	4.2	4.83	5.88
		9-kW & 12-kW Single Phase	4				
		15-kW & 18-kW Single Phase All 3-Phase	6				
21	M5 Hex Nut	up to 6-kW Single Phase	1	Z-FIX-M5HEX	5.51	6.34	7.71
		9-kW & 12-kW Single Phase	2				
		15-kW & 18-kW Single Phase All 3-Phase	3				
22	M6 Hex Nut	All	4	Z-FIX-M6HEX	5.51	0.00	7.71
23	RCD Terminal Block With Resistor	All	1	Z-MIS-TB-RCD	6.56	7.54	9.18
24	M4x12 Pozi Pan Screw	All	9	Z-FIX-M4x25	1.58	1.82	2.21
25	M4 Locking Washer	up to 6-kW Single Phase	2	Z-FIX-M4LW	1.58	1.82	2.21
		9-kW & 12-kW Single Phase	4				
		15-kW & 18-kW Single Phase All 3-Phase	6				
26	Terminal Block	All Single Phase	3	Z-MIS-TB-130A	18.11	20.83	25.35
		All 3-Phase	5				
		All Versatile	6				
27	M5 Locking Washer	All	2	Z-FIX-M5LW	5.51	6.34	7.71
28	M6 Flat Washer	All	2	Z-FIX-M6FW	5.51	6.34	7.71
29	Earth Terminal	All	2	Z-CON-YR53	7.61	8.75	10.65
31	Auto Button Stat	All	1	Z-MIS-BS-60-40-NO	9.71	11.17	13.59
32	Foot Screws	All	4	Z-FIX-M4.8x19STS-SC	5.51	6.34	7.71
38	Element Ferrule (2pcs per Kit/Element)	up to 6-kW Single Phase	2	Z-IM-EL-FER	7.89	9.07	11.05
		9-kW & 12-kW Single Phase	4				
		15-kW & 18-kW Single Phase All 3-Phase	6				
37	PG-21 Cable Entry Gland (Inc Back Nut)	All	1	Z-CON-PG21BK + Z-CON-PG21NUT	18.11	20.83	25.35 0.00
39	PG-7 Cable Entry Gland (Inc Back Nut)	All	1	Z-CON-PG7BK	7.35	8.45	10.29
40	End Fitting Gasket (pack of 2 pcs)	All	2	SP-117-GSK	7.35	8.45	10.29
41	Element Stepped Washer (2pcs per Kit)	up to 6-kW Single Phase	2	Z-IM-EL-SW	2.1	2.42	2.94
		9-kW & 12-kW Single Phase	4				
		15-kW & 18-kW Single Phase All 3-Phase	6				
42	Heating Element	All	1, 2, 3	See Table 3		-	
43	Element Support (1pc per kit)	up to 6-kW Single Phase	2	Z-IM-EL-SUP	5.25	6.04	7.35
		9-kW & 12-kW Single Phase	4				
		15-kW & 18-kW Single Phase All 3-Phase	6				
44	Flow Switch	up to 3-kW	1	SP-107-A	40.69	46.79	40.69
		4-kW to 6-kW	1	SP-107-B	40.69	46.79	40.69
		9-kW & greater	1	SP-107-C	40.69	46.79	40.69
45	M4x6mm Screw	All	2	Z-FIX-M4X6CS	1.58	1.82	1.58
46	Neon Indicator Lamp	All	1	Z-MIS-NEON	5.25	6.04	5.25

1.5" BSP Hose Tail for 1.5"/1.25" Flexible Pipe	All	2	SP-118	11.03	12.68	11.03
1.5" BSP Universal Union for 1.5"/50-mm Pipe	All	2	SP-119	16.8	19.32	16.8
O-Rings (pack of 2 pcs)	All	2	SP-120-ORS	2.1	2.42	2.1
44mm x 6mm Union O-Ring (pack of 2 pcs)	All	2	SP-119-ORS	7.88	9.06	7.88

Evo 2 Digital



Water connections:



Item No.:	Description:	Power Output:	Pcs/Unit:	Part Code:	GBP RRP (£)	EUR RRP (€)	USD RRP (€)
1	Flow tube	All	1	See Table 2	-	-	-
2	Electrical Enclosure Base	All	1	Z-IM-E2-BC	21.00	24.15	29.40
3	Digital Front Cover	All	1	Z-IM-E2-DIG-TC	28.88	33.21	40.43
4	Electrical Access Cover	All	1	Z-IM-E2-AC	7.88	9.06	11.03
5	Test Button	All	1	Z-MIS-PBS	9.98	11.47	13.97
6	Window	All	1	Z-IM-E2-W	8.93	10.26	12.50
7	Control Thermostat Dial	All	1	Z-IM-OC-ANA	7.88	9.06	11.03
8	Contactor	up to 18-kW 3-Phase 400V up to 9-kW 3-Phase 230V	1	SP-SIE-2023-40A	71.14	81.81	99.59
		24-kW 3-Phase 400V 12, 15 & 18-kW 3-Phase 230V	1	SP-SIE-2027-50A	140.70	161.81	196.98
9	PCB Digital Thermostat Board	All	1	Z-PCB-BUD	158.29	182.03	221.60
10	Left End Fitting (NON F/S)	All	1	SP-117	25.73	29.58	36.02
11	Right End Fitting (F/S)	All	1	SP-117B	25.73	29.58	36.02
12	M6 Tie Bar	up to 12-kW Single Phase 230V	4	Z-STU-443	9.45	10.87	13.23
		15-kW & 18-kW Single Phase All 3-Phase	4	Z-STU-573	10.50	12.08	14.70
13A	Foot Lower	All	2	Z-IM-E2-FL	12.08	13.89	16.91
13B	Foot Upper	All	2	Z-IM-E2-FU	5.25	6.04	7.35
14	M6 Dome / Cap Nut	All	4	Z-FIX-M6CAP	5.51	6.34	7.72
15	M4x25 Pozzi Pan Screw	All	2	Z-FIX-M4x25	1.58	1.81	2.21
18	Element Bridge	up to 6-kW Single Phase 9-kW & 12-kW Single Phase 15-kW & 18-kW Single Phase All 3-Phase	1	Z-IM-EL-BRI	5.25	6.04	7.35
			2				
			3				
19	Enclosure Screws	All	7	Z-FIX-M4.8x19STS-SC	5.51	6.34	7.72
20	M4 Hex Nut	up to 6-kW Single Phase 9-kW & 12-kW Single Phase 15-kW & 18-kW Single Phase All 3-Phase	2	Z-FIX-M4HEX	4.20	4.83	5.88
			4				
			6				
21	M5 Hex Nut	up to 6-kW Single Phase 9-kW & 12-kW Single Phase 15-kW & 18-kW Single Phase All 3-Phase	1	Z-FIX-M5HEX	5.51	6.34	7.72
			2				
			3				
22	M6 Hex Nut	All	4	Z-FIX-M6HEX	5.51	6.34	7.72
23	RCD Terminal Block With Resistor	All	1	Z-MIS-TB-RCD	6.56	7.55	9.19
24	M4x12 Pozzi Pan Screw	All	9	Z-FIX-M4x25	1.58	1.81	2.21
25	M4 Locking Washer	up to 6-kW Single Phase 9-kW & 12-kW Single Phase 15-kW & 18-kW Single Phase All 3-Phase	2	Z-FIX-M4LW	1.58	1.81	2.21
			4				
			6				
26	Terminal Block	All Single Phase All 3-Phase All Versatile	3	Z-MIS-TB-130A	18.11	20.83	25.36
			5				
			6				
27	M5 Locking Washer	All	2	Z-FIX-M5LW	5.52	6.34	7.72
28	M6 Flat Washer	All	2	Z-FIX-M6FW	5.51	6.34	7.72
29	Earth Terminal	All	2	Z-CON-YR53	7.61	8.75	10.66
31	Auto Button Stat	All	1	Z-MIS-BS-60-40-NO	9.71	11.17	13.60
32	Foot Screws	All	4	Z-FIX-M4.8x19STS-SC	5.51	6.34	7.72
37	PG-21 Cable Entry Gland (Inc Back Nut)	All	1	Z-CON-PG21BK + Z-CON-PG21NUT	18.11	20.83	25.36
38	Element Ferrule (2pcs per Kit/Element)	up to 6-kW Single Phase 9-kW & 12-kW Single Phase 15-kW & 18-kW Single Phase All 3-Phase	2	Z-IM-EL-FER	7.88	9.06	11.03
			4				
			6				
39	PG-7 Cable Entry Gland (Inc Back Nut)	All	1	Z-CON-PG97K	7.35	8.45	10.29
40	End Fitting Gasket (pack of 2 pcs)	All	2	SP-117-GSK	7.35	8.45	10.29
41	Element Stepped Washer (2pcs per Kit)	up to 6-kW Single Phase 9-kW & 12-kW Single Phase 15-kW & 18-kW Single Phase	2	Z-IM-EL-SW	2.10	2.42	2.94
			4				
			6				
42	Heating Element	All	1, 2, 3	See Table 3	-	-	0.00
43	Element Support (1pc per kit)	up to 6-kW Single Phase 9-kW & 12-kW Single Phase 15-kW & 18-kW Single Phase All 3-Phase	2	Z-IM-EL-SUP	5.25	6.04	7.35
			4				
			6				
44	Flow Switch	up to 3-kW	1	SP-107-A	40.69	46.79	56.96
		4-kW to 6-kW	1	SP-107-B	40.69	46.79	56.96
		9-kW & greater	1	SP-107-C	40.69	46.79	56.96
1.5" BSP Hose Tail for 1.5"/1.25" Flexible Pipe		All	2	SP-118	11.03	12.68	15.44
1.5" BSP Universal Union for 1.5"/50-mm Pipe		All	2	SP-119	16.80	19.32	23.52
O-Rings (pack of 2 pcs)		All	2	SP-120-ORS	2.10	2.42	2.94
44mm x 6mm Union O-Ring (pack of 2 pcs)		All	2	SP-119-ORS	7.88	9.06	11.03

Table 1. Replacement tank assemblies

Single Phase Power Output:	Titanium Flow tube with Titanium Heating Element Part Code:	GBP RRP (£)	EUR RRP (€)	USD RRP (\$)	Description:
2-kW	SP-TA-2-Ti	291.11	334.78	407.56	2-kW 370-mm Replacement Tank Assembly
3-kW	SP-TA-3-Ti	300.83	345.95	421.16	3-kW 370-mm Replacement Tank Assembly
4.5-kW	SP-TA-4.5-Ti	310.80	357.42	435.12	4.5-kW 370-mm Replacement Tank Assembly
6-kW	SP-TA-6-Ti-1P	320.51	368.59	448.72	6-kW 370-mm Replacement Tank Assembly
9-kW	SP-TA-9-Ti-1P	348.34	400.59	487.67	9-kW 370-mm Replacement Tank Assembly
12-kW	SP-TA-12-Ti-1P	358.05	411.76	501.27	12-kW 370-mm Replacement Tank Assembly
15-kW	SP-TA-15-Ti	428.14	492.36	599.39	15-kW 500-mm Replacement Tank Assembly
18-kW	SP-TA-18-Ti	432.86	497.79	606.01	18-kW 500-mm Replacement Tank Assembly
3-Phase Power Output:	Titanium Flow tube with Titanium Heating Element Part Code:	GBP RRP (£)	EUR RRP (€)	USD RRP (\$)	Description:
6-kW	SP-TA-6-Ti-3P	413.44	475.45	578.81	6-kW 500-mm Replacement Tank Assembly
9-kW	SP-TA-9-Ti-3P	418.16	480.89	585.43	9-kW 500-mm Replacement Tank Assembly
12-kW	SP-TA-12-Ti-3P	423.15	486.62	592.41	12-kW 500-mm Replacement Tank Assembly
15-kW	SP-TA-15-Ti	428.14	492.36	599.39	15-kW 500-mm Replacement Tank Assembly
18-kW	SP-TA-18-Ti	432.86	497.79	606.01	18-kW 500-mm Replacement Tank Assembly
24-kW	SP-TA-24-Ti-3P	507.68	583.83	710.75	24-kW 500-mm Replacement Tank Assembly

Table 2 . Replacement flow tubes

Description:	Power Output:	Pcs/Unit:	Titanium Part Code:	GBP RRP (£)	EUR RRP (€)	USD RRP (\$)
Flow tube	up to 6-kW Single Phase	1	X-TUB-TI370-1E	112.75	129.66	157.85
	9-kW & 12-kW Single Phase		X-TUB-TI370-2E	112.75	129.66	157.85
	15, 18-kW Single Phase All 3-Phase		X-TUB-TI500-3E	150.25	172.79	210.35

Table 3. Replacement heating elements

Single Phase Power Output:	Titanium Heating Element Part Code:	GBP RRP (£)	EUR RRP (€)	USD RRP (\$)	Pcs/Unit:	Description:
2-kW	SP-EL-Ti2KW7T	117.86	135.54	165.01	1	2-kW Replacement Heating Element Kit
3-kW	SP-EL-Ti2.8KW7T	124.95	143.69	174.93	1	2.8-kW Replacement Heating Element Kit
4.5-kW	SP-EL-Ti4.5KW7T	130.99	150.64	183.38	1	4.5-kW Replacement Heating Element Kit
6-kW	SP-EL-Ti6KW7T	140.96	162.11	197.35	1	6-kW Replacement Heating Element Kit
9-kW	SP-EL-Ti4.5KW7T	130.99	150.64	183.38	2	4.5-kW Replacement Heating Element Kit
12-kW	SP-EL-Ti6KW7T	140.96	162.11	197.35	2	6-kW Replacement Heating Element Kit
15-kW	SP-EL-Ti5KW7T	135.98	156.37	190.37	3	5-kW Replacement Heating Element Kit
18-kW	SP-EL-Ti6KW7T	140.96	162.11	197.35	3	6-kW Replacement Heating Element Kit
3-Phase Power Output:	Titanium Heating Element Part Code:	GBP RRP (£)	EUR RRP (€)	USD RRP (\$)	Pcs/Unit:	Description:
6-kW	SP-EL-Ti2KW7T	117.86	135.54	165.01	3	2-kW Replacement Heating Element Kit
9-kW	SP-EL-Ti2.8KW7T	124.95	143.69	174.93	3	2.8-kW Replacement Heating Element Kit
12-kW	SP-EL-Ti4KW7T	128.57	147.86	180.00	3	4-kW Replacement Heating Element Kit
15-kW	SP-EL-Ti5KW7T	135.98	156.37	190.37	3	5-kW Replacement Heating Element Kit
18-kW	SP-EL-Ti6KW7T	140.96	162.11	197.35	3	6-kW Replacement Heating Element Kit
24-kW	SP-EL-Ti8KW7T	151.73	174.48	212.42	3	8-kW Replacement Heating Element Kit



ELECR0
ENGINEERING

Improving pools *globally*

11 Gunnels Wood Park, Gunnels Wood Road,
Stevenage, Hertfordshire, SG1 2BH, UK

Tel: +44 1438 749 474

Email: sales@elecro.co.uk

Web: www.elecro.co.uk

We reserve the right to change all or part of the features of the articles
or contents of this document, without prior notice.

SPL16-EN-EVO2 SPARE PARTS LIST V3-21.10.2021