

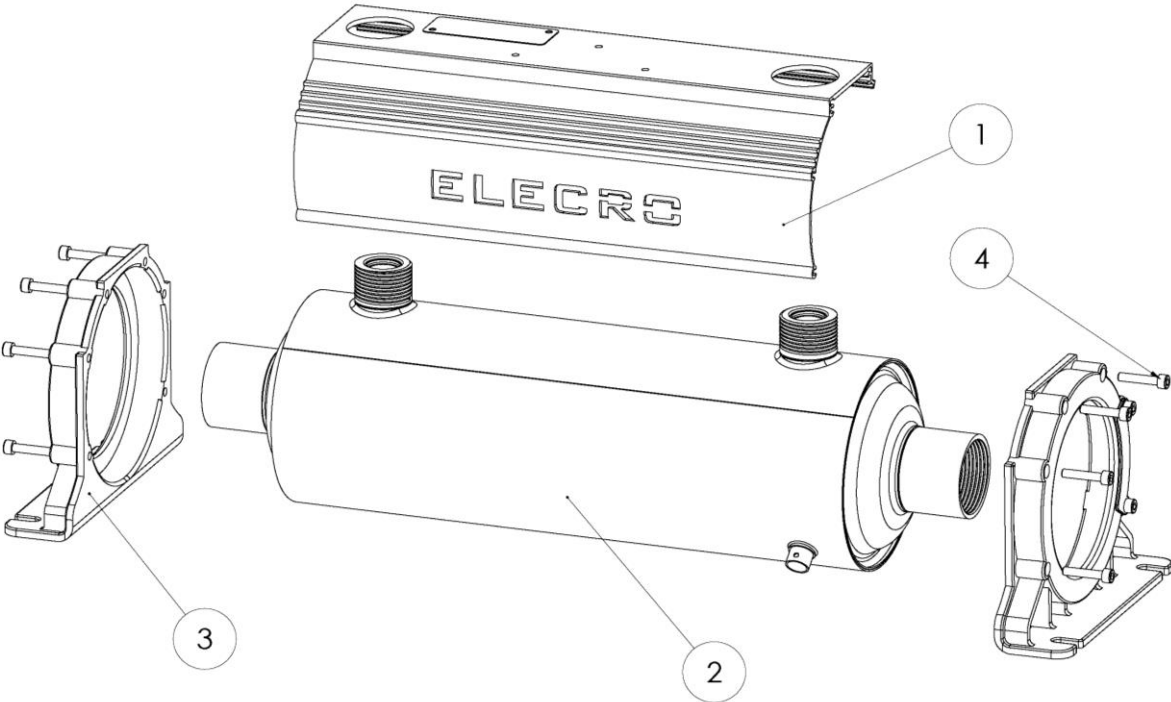
Escalade

SPARE PART LISTS



ELECRO
ENGINEERING

Escalade



Item No.:	Description:	Pcs/Unit:	Product Code			GBP RRP (£)		
			WHE-30	WHE-40	WHE-75	WHE-30	WHE-40	WHE-75
1	Welded H/E Extruded Shell	1	Z-SMW-WHE-318	Z-SMW-WHE-366	Z-SMW-WHE-610	29.40	32.55	42.00
2	Powder Coated Body of Titanium Welded H/E	1	X-WHE-30	X-WHE-40	X-WHE-75	367.50	441.00	525.00
3	Welded Heat Exchanger Foot Bracket	2	Z-IM-HE-W-F			14.18		
4	M5x30-mm S/S Socket Cap	8	Z-FIX-M5X30SC			5.51		

Item No.:	Description:	Pcs/Unit:	Product Code			EUR RRP (€)		
			WHE-30	WHE-40	WHE-75	WHE-30	WHE-40	WHE-75
1	Welded H/E Extruded Shell	1	Z-SMW-WHE-318	Z-SMW-WHE-366	Z-SMW-WHE-610	33.81	37.43	48.30
2	Powder Coated Body of Titanium Welded H/E	1	X-WHE-30	X-WHE-40	X-WHE-75	422.63	507.15	603.75
3	Welded Heat Exchanger Foot Bracket	2	Z-IM-HE-W-F			16.30		
4	M5x30-mm S/S Socket Cap	8	Z-FIX-M5X30SC			6.34		

Item No.:	Description:	Pcs/Unit:	Product Code			USD RRP (\$)		
			WHE-30	WHE-40	WHE-75	WHE-30	WHE-40	WHE-75
1	Welded H/E Extruded Shell	1	Z-SMW-WHE-318	Z-SMW-WHE-366	Z-SMW-WHE-610	47.33	52.41	67.62
2	Powder Coated Body of Titanium Welded H/E	1	X-WHE-30	X-WHE-40	X-WHE-75	591.68	710.01	845.25
3	Welded Heat Exchanger Foot Bracket	2	Z-IM-HE-W-F			22.82		
4	M5x30-mm S/S Socket Cap	8	Z-FIX-M5X30SC			8.88		



ELECRÓ
ENGINEERING

Improving pools *globally*

11 Gunnels Wood Park, Gunnels Wood Road,
Stevenage, Hertfordshire, SG1 2BH, UK

Tel: +44 1438 749 474
Email: sales@elecra.co.uk
Web: www.elecra.co.uk



We reserve the right to change all or part of the features of the articles
or contents of this document, without prior notice.

SPL1-EN-ESCALADE SPARE PARTS LIST V2-29.10.2021