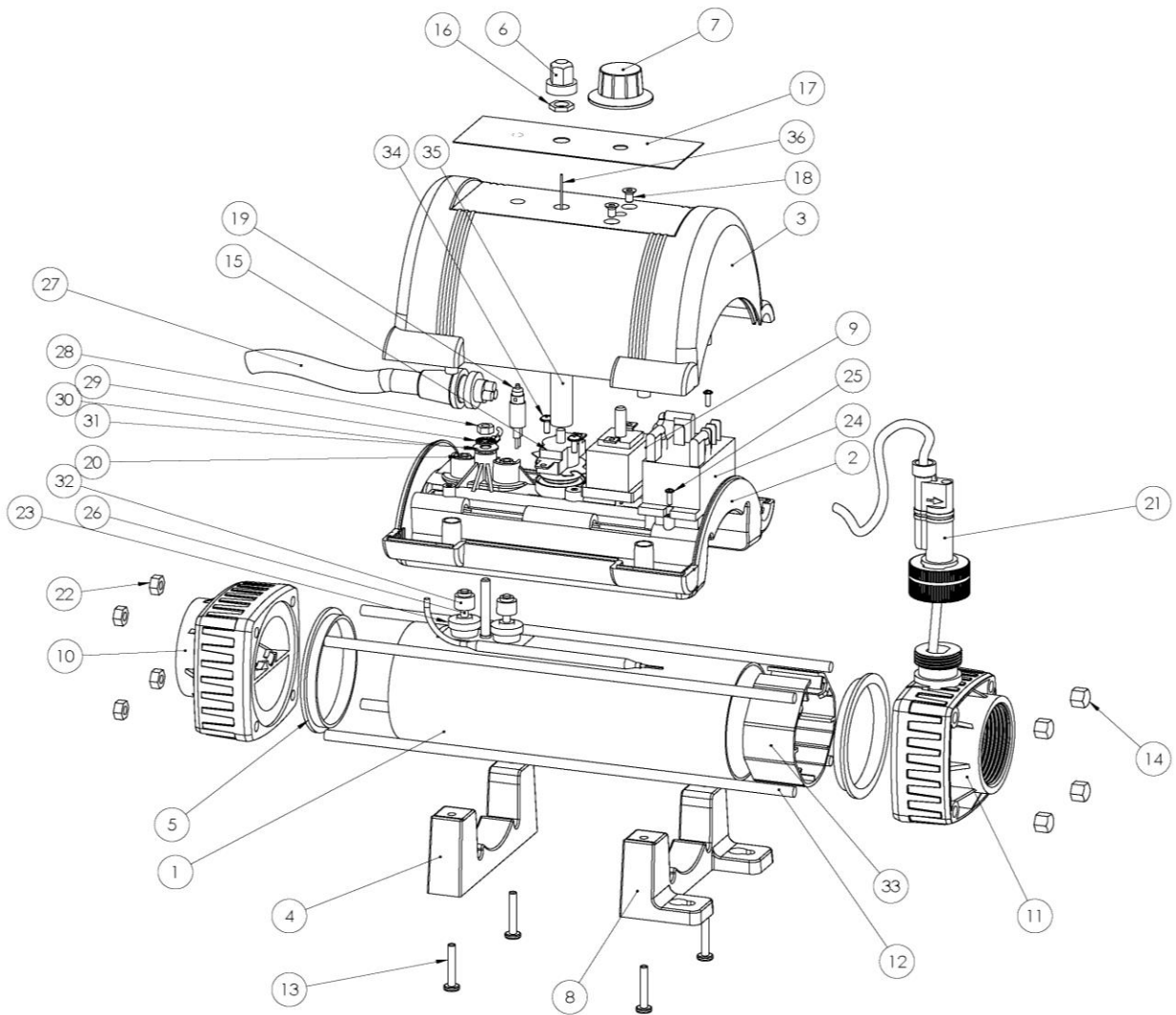


Nano Cygnet

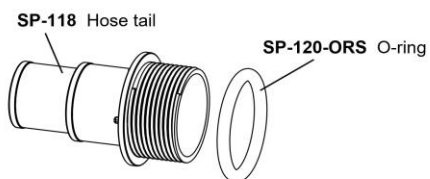
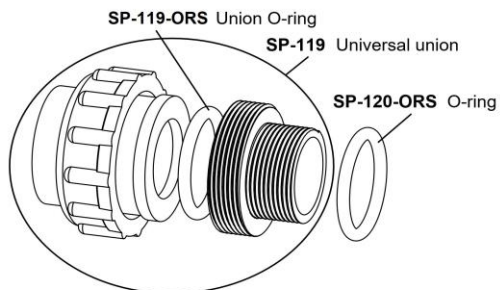
SPARE PART LISTS



Cygnet Nano



Water connections:



Item No.:	Description:	Pcs/Unit:	Part Number:	GBP RRP (£)	EUR RRP (€)	USD RRP (\$)
1	Flow Tube	1	X-TUB-Ti200-1E	77.70	89.36	108.78
2	Electrical Bottom Cover / Bridge	1	Z-IM-NO-BC	19.16	22.04	26.83
3	Electrical Top Cover	1	Z-IM-NO-TC-BLU	28.61	32.90	40.06
4	Lower Foot (Without Key Hole Hooks)	1	Z-IM-NO-FL	16.01	18.41	22.42
5	TPE End Fitting Gasket	2	SP-117-GSK	3.68	4.23	5.15
6	Thermal Safety Cut-Out Cover	1	Z-MIS-HLS-CVR	7.61	8.75	10.66
7	Control Thermostat Dial	1	Z-MIS-CS-DIAL	3.68	4.23	5.15
8	Upper Foot (With Key Hole Hooks)	1	Z-IM-NO-FU	21.53	24.75	30.14
9	Control Thermostat	1	SP-MIS-CS	43.84	50.41	61.37
10	Left End Fitting (Non F/S)	1	SP-117	25.73	29.58	36.02
11	Right End Fitting (F/S)	1	SP-117B	25.73	29.58	36.02
12	273-mm M6 Tie Bar	4	Z-STU-273	8.40	9.66	11.76
13	M4 x 25-mm Zinc Coated Pozi Pan Screw	4	Z-FIX-M4X25	4.20	4.83	5.88
14	M6 Cap Nut	4	Z-FIX-M6CAP	5.51	6.34	7.72
15	Thermal Safety Cut Out (Manual Reset)	1	Z-MIS-BS-60-50	19.43	22.34	27.20
16	M8 Hex Nut (For Thermal Cut Out)	1	Supplied with #15	-	-	
17	Nano Ops Panel Overlay	1	Z-LAB-N-KC	8.66	9.96	12.13
18	M4 x 6-mm S/S CSK	2	Z-FIX-M4X6CS	1.58	1.81	2.21
19	Neon Indicator Lamp	1	Z-MIS-NEON	5.25	6.04	7.35
20	M4 Hex Nut	2	Z-FIX-M4HEX	4.20	4.83	5.88
21	Nano Flow Switch	1	SP-107-N-S	40.69	46.79	56.96
22	M6 S/S Hex Nut	4	Z-FIX-M6HEX	5.51	6.34	7.72
23	EPDM Element Ferrule	2	Z-IM-EL-FER	7.88	9.06	11.03
24	Surface Mount Relay	1	SP-109	27.56	31.70	38.59
25	M3 x 14 -mm FLG Pozi Zinc Coated	2	Z-FIX-M3X12-FLG	1.58	1.81	2.21
26	Titanium Heating Element	1	See Table 1	-	-	
27	UK Power Supply Lead	1	X-CAB-NANO-UK	32.03	36.83	44.84
	EURO Power Supply Lead		X-CAB-NANO-EUR	22.58	25.96	31.61
28	M5 S/S Full Hex Nut	1	Z-FIX-M5HEX	5.51	6.34	7.72
29	M5 S/S Locking Washer	1	Z-FIX-M5LW	5.51	6.34	7.72
30	Earth Ring Terminal	1	Z-CON-YR53	7.61	8.75	10.66
31	M5 S/S Half Hex Nut	1	Z-FIX-M5HEX-N	5.51	6.34	7.72
32	Stepped Element Washer	2	Z-IM-EL-SW	2.10	2.42	2.94
33	Element Support	1	Z-IM-EL-SUP	5.25	6.04	7.35
34	M3 x 8 -mm FLG Pozi Zinc Coated	2	Z-FIX-M3X8FLG	1.89	2.17	2.65
35	Button Stat Holder	1	Z-MIS-N-BSH	11.55	13.28	16.17
36	Resetting pin	1	Z-MIS-N-RS	2.63	3.02	3.68
*	Nano Element Fixing Kit (Comprising of: 2x20, 2x23, 1x28, 1x29, 1x31, 2x32 & 1x33)	1	SP-EL-FIX-NANO	11.81	13.58	16.53

1.5" BSP Hose Tail for 1.5/1.25" Flexible Pipe	2	SP-118	11.03	12.68	15.44
1.5" BSP Universal Union for 1.5"/50-mm Pipe	2	SP-119	16.80	19.32	23.52
O-Rings (pack of 2 pcs)	2	SP-120-ORS	2.10	2.42	2.94
44mm x 6mm Union O-Ring (pack of 2 pcs)	2	SP-119-ORS	3.94	4.53	5.51

Table 1. Replacement heating elements

Product Code:		No. of heating elements:	Part Code:	Description:	GBP RRP (£)	EUR RRP (€)	USD RRP (\$)
KC-1-UK	KC-1-EU	1	SP-EL-Ti1KW7T	1-kW Titanium Heating Element	111.30	128.00	155.82
KC-2-UK	KC-2-EU	1	SP-EL-Ti2KW7T	2-kW Titanium Heating Element	117.86	135.54	165.01
KC-3-UK	KC-3-EU	1	SP-EL-Ti2.8KW7T	3-kW Titanium Heating Element	124.95	143.69	174.93
KC-4	-	1	SP-EL-Ti4KW9T	4-kW Titanium Heating Element	128.57	147.86	180.00

Improving pools *globally*

11 Gunnels Wood Park, Gunnels Wood Road,
Stevenage, Hertfordshire, SG1 2BH, UK

Tel: +44 1438 749 474

Email: sales@elecro.co.uk

Web: www.elecro.co.uk

We reserve the right to change all or part of the features of the articles
or contents of this document, without prior notice.

SPL91-EN-NANO CYGNET SPARE PARTS LIST V2-27.10.2021-ELECRO