

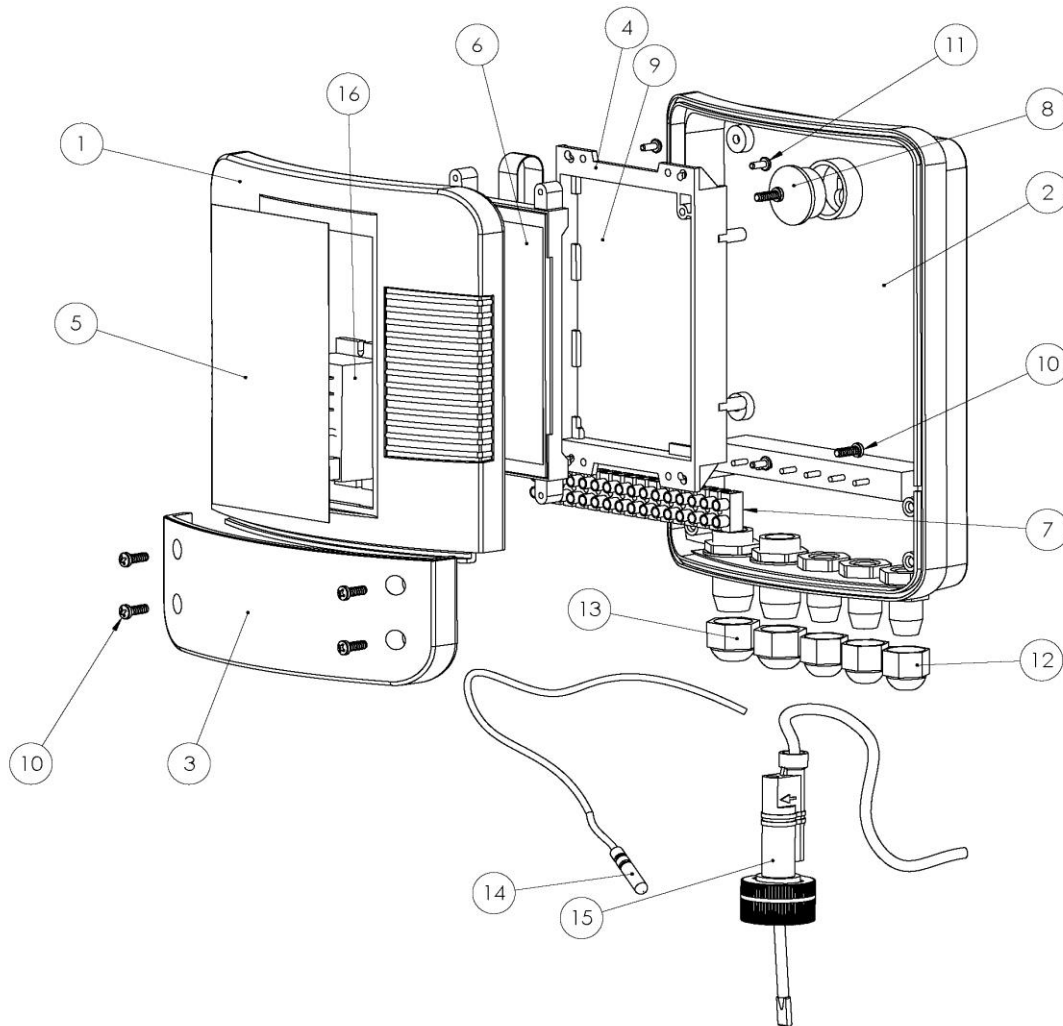
Heatsmart *plus* Koolsmart *plus*

SPARE PART LISTS



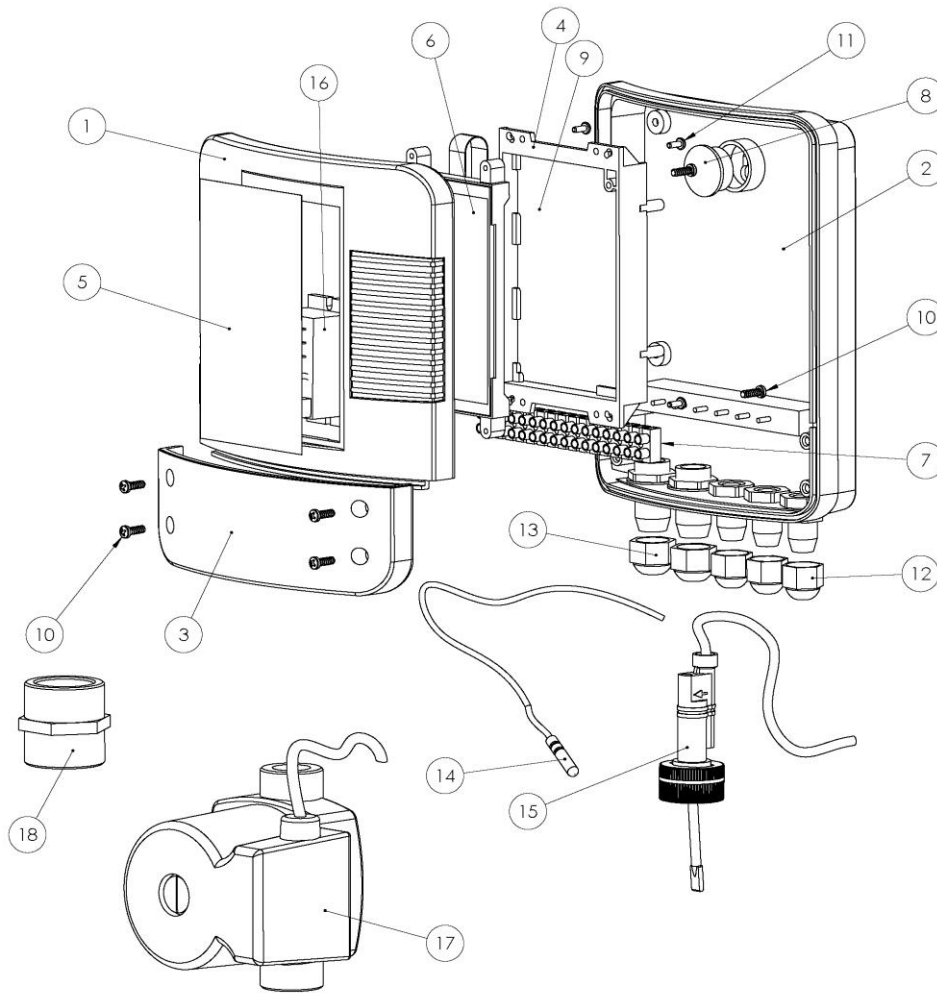
ELECR O
ENGINEERING

Heatsmart & Koolsmart



Item No.:	Description:	Pcs/Unit:	Product Code:	GBP RRP (£)	EUR RRP (€)	USD RRP (\$)
1	PoolSmart Plus T/S Front Cover (Red)	1	Z-IM-SR-C-FC-HS	15.70	18.06	21.98
2	Solar Controller Enclosure	1	Z-IM-SR-C-ENC	26.75	30.76	37.45
3	PoolSmart Plus Access Cover (Red)	1	Z-IM-SR-C-AC-HS	12.45	14.32	17.43
4	Digital Controller Mounting Bracket	1	Z-IM-OC-DIG-MB	10.80	12.42	15.12
5	PoolSmart Plus Touchscreen Controller Overlay	1	Z-LAB-PS-PLUS	15.70	18.06	21.98
6	Replacement Touch Screen Display	1	SP-PCB-BMS-TS	73.00	83.95	102.20
7	12-Way 1.5mm2 Ensto Terminal Block	1	Z-MIS-TB1.5MM2	13.25	15.24	18.55
8	Solar Controller Enclosure Blanking Disc	1	Z-IM-SR-C-BD	3.80	4.37	5.32
9	Replacement Touch Screen controller PCB	1	SP-PCB-BMS	143.05	164.51	200.27
10	M4 x 25-mm Zinc Coated Pozi Pan Screw	8	Z-FIX-M4X25	1.60	1.84	2.24
11	M3 x 12 -mm FLG Pozi Zinc Coated	4	Z-FIX-M3X12-FLG	1.60	1.84	2.24
12	Black PG9 Cable Entry Gland (Inc Back Nut)	3	Z-CON-CEG-PG9BK	8.10	9.32	11.34
13	Black PG11 Cable Entry Gland (Inc Back Nut)	2	Z-CON-CEG-PG11BK + Z-CON-CEG-PG11NUT	14.35	16.50	20.09
14	NTC Temperature Sensor	1	SP-HE-NTC	33.25	38.24	46.55
15	Flow Switch	1	SP-107-HE	41.90	48.19	58.66
16	Surface Mount Mini Relay	1	Z-MIS-SMMR	15.70	18.06	21.98

Heatsmart & Koolsmart with booster pump



Item No.:	Description:	Pcs/Unit:	Product Code:	GBP RRP (£)	EUR RRP (€)	USD RRP (\$)
1	PoolSmart Plus T/S Front Cover (Red)	1	Z-IM-SR-C-FC-HS	15.70	18.06	21.98
2	Solar Controller Enclosure	1	Z-IM-SR-C-ENC	26.75	30.76	37.45
3	PoolSmart Plus Access Cover (Red)	1	Z-IM-SR-C-AC-HS	12.45	14.32	17.43
4	Digital Controller Mounting Bracket	1	Z-IM-OC-DIG-MB	10.80	12.42	15.12
5	PoolSmart Plus Touchscreen Controller Overlay	1	Z-LAB-PS-PLUS	15.70	18.06	21.98
6	Replacement Touch Screen Display	1	SP-PCB-BMS-TS	73.00	83.95	102.20
7	12-Way 1.5mm ² Ensto Terminal Block	1	Z-MIS-TB1.5MM2	13.25	15.24	18.55
8	Solar Controller Enclosure Blanking Disc	1	Z-IM-SR-C-BD	3.80	4.37	5.32
9	Replacement Touch Screen controller PCB	1	SP-PCB-BMS	143.05	164.51	200.27
10	M4 x 25-mm Zinc Coated Pozi Pan Screw	8	Z-FIX-M4X25	1.60	1.84	2.24
11	M3 x 12 -mm FLG Pozi Zinc Coated	4	Z-FIX-M3X12-FLG	1.60	1.84	2.24
12	Black PG9 Cable Entry Gland (Inc Back Nut) Black PG11 Cable Entry Gland (Inc Back Nut)	3	Z-CON-CEG-PG9BK Z-CON-CEG-PG11BK + Z-CON-CEG-PG11NUT	8.10	9.32	11.34
13	NTC Temperature Sensor	1	SP-HE-NTC	33.25	38.24	46.55
14	Flow Switch	1	SP-107-HE	41.90	48.19	58.66
15	Surface Mount Mini Relay	1	Z-MIS-SMMR	15.70	18.06	21.98
16	Grundfos Pump	1	Z-HEC-GP	210.90	242.54	295.26
17	1" BSP Female / Female Brass Adapter	1	Z-HEC-1BSPFF	13.50	15.53	18.90



ELECRO
ENGINEERING

Improving pools *globally*

11 Gunnels Wood Park, Gunnels Wood Road,
Stevenage, Hertfordshire, SG1 2BH, UK

Tel: +44 1438 749 474

Email: sales@elecra.co.uk

Web: www.elecra.co.uk

We reserve the right to change all or part of the features of the articles
or contents of this document, without prior notice.

SPL46-EN-G2 SPARE PARTS LIST V3-01.01.2023