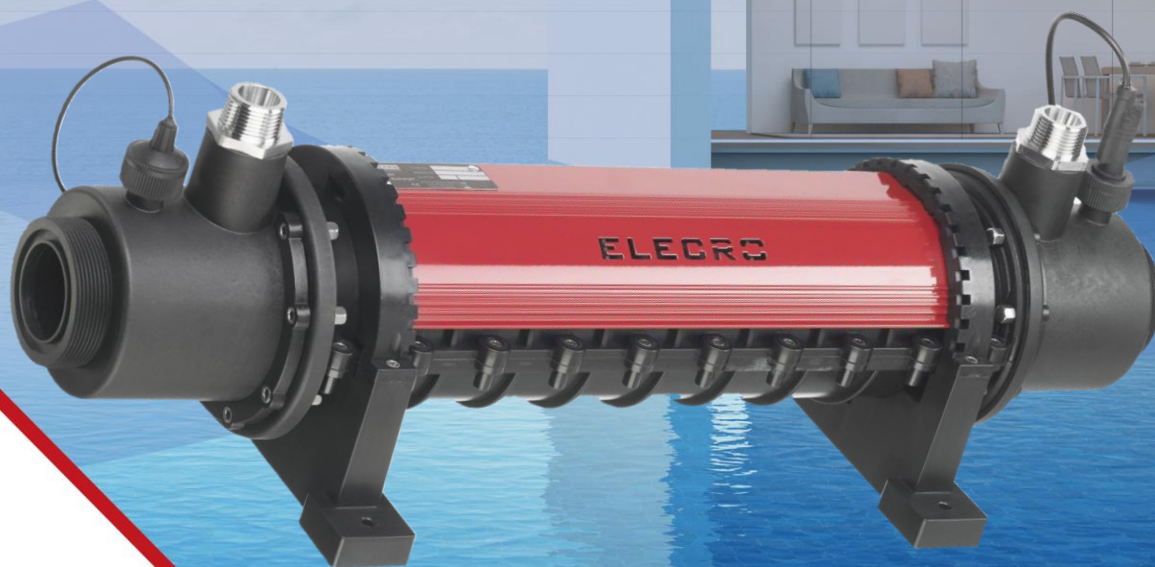


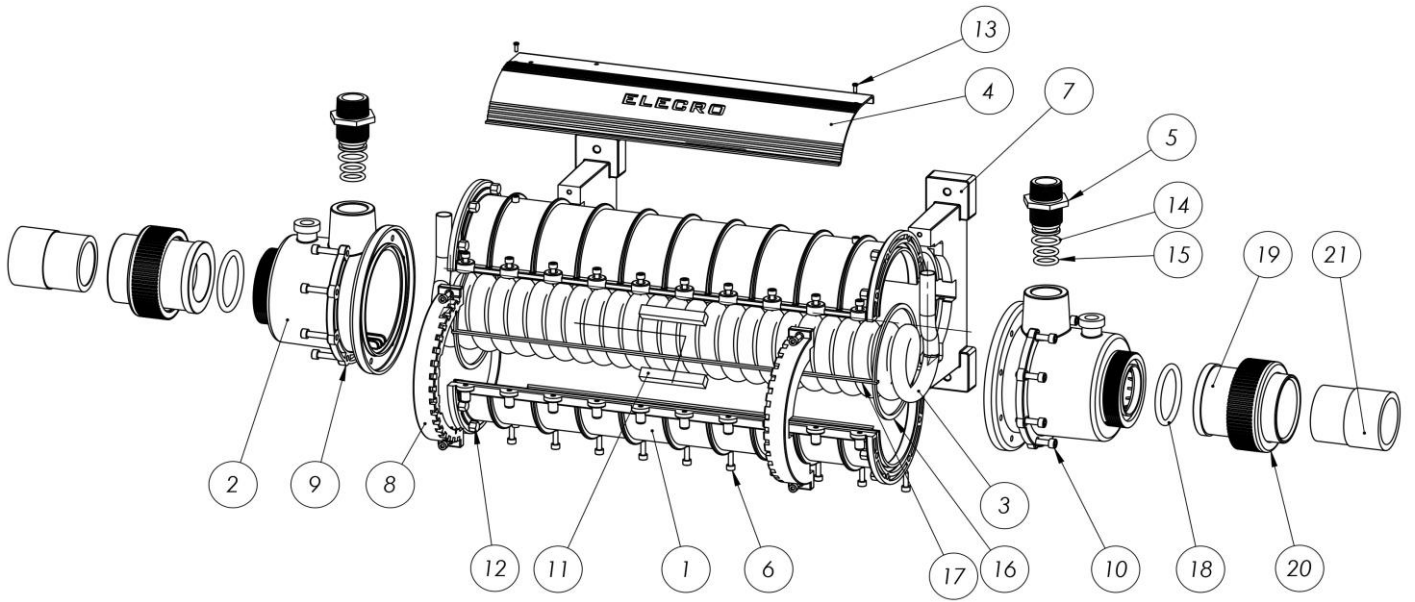
# SST

## SPARE PART LISTS



**ELEGRO**  
ENGINEERING

# SST



| Item No.: | Description:  | Pcs/Unit:  | Product Code        |               |               |               | GBP RRP (£) |        |        |        |
|-----------|---|--|---------------------|---------------|---------------|---------------|-------------|--------|--------|--------|
|           |   |  | SST-36              | SST-50        | SST-75        | SST-95        | SST-36      | SST-50 | SST-75 | SST-95 |
| 1         | 36-kW Spiral H/E Tank (Half)                          | 2  | Z-IM-SHE-T-36       | Z-IM-SHE-T-50 | Z-IM-SHE-T-75 | Z-IM-SHE-T-95 | 31.35       | 36.75  | 61.65  | 65.95  |
| 2         | Spiral H/E End Coupling                               | 2  | Z-IM-SHE-EC         |               |               |               | 37.85       |        |        |        |
| 3         | 36-kW Titanium Spiral Tube Coil (Processed Ends)      | 1  | X-SHE-ST-36         | X-SHE-ST-50   | X-SHE-ST-75   | X-SHE-ST-95   | 145.45      | 230.35 | 334.20 | 369.85 |
| 4         | 36-kW Spiral Heat Exchanger Extruded Shell            | 1  | Z-SMW-SHE-36        | Z-SMW-SHE-50  | Z-SMW-SHE-75  | Z-SMW-SHE-95  | 22.70       | 25.70  | 30.30  | 32.70  |
| 5         | Spiral Heat Exchanger 316L S/S Nipple                 | 2  | Z-SHE-BN            |               |               |               | 23.25       |        |        |        |
| 6         | M4.8x19-mm S/S Socket Cap Self Tapping Screw          | 14 for SST-36; 18 for SST-50; 24 for SST-75; 30 for SST-95 | Z-FIX-M4.8X19STS-SC |               |               |               | 5.70        |        |        |        |
| 7         | Spiral H/E Front Bracket                              | 2  | Z-IM-SHE-FB         |               |               |               | 11.35       |        |        |        |
| 8         | Spiral H/E Rear Bracket                               | 2  | Z-IM-SHE-RB         |               |               |               | 22.70       |        |        |        |
| 9         | Spiral H/E Bolt Flange                                | 2  | Z-IM-SHE-BF         |               |               |               | 13.50       |        |        |        |
| 10        | M6 x 22mm S/S Socket Cap                              | 18   | Z-FIX-M6X22-SC      |               |               |               | 5.70        |        |        |        |
| 11        | Titanium Coil Heat Exchanger Rubber Dumper            | 4  | Z-IM-SHE-RD         |               |               |               | 22.70       |        |        |        |
| 12        | M6 S/S Cap Nut  | 18   | Z-FIX-M6CAP         |               |               |               | 5.70        |        |        |        |
| 13        | M3 x 8-mm Black Pozi Pan Screw                        | 2  | Z-FIX-M3X8-BLK      |               |               |               | 1.60        |        |        |        |
| 14        | Plastic Heat Exchanger O-Ring Seal ID22.6mm C/s 3.6mm | 2  | Z-ORS-PHE-22.6MM    |               |               |               | 3.50        |        |        |        |
| 15        | Plastic Heat Exchanger O-Ring Seal ID18.6mm C/s 3.6mm | 4  | Z-ORS-PHE-18.6MM    |               |               |               | 8.10        |        |        |        |
| 16        | SST End Cap Gasket (EPDM)                             | 2  | Z-IM-GSK-SST-EC     |               |               |               | 7.75        |        |        |        |
| 17        | SST Groove Gasket 700mm (EPDM)                        | 2  | Z-IM-GSK-SST-GG-700 |               |               |               | 13.50       |        |        |        |
| 18        | 56mm x 5.3mm Large Union O-Ring EPDM Shore 70         | 2  | SP-122-ORS          |               |               |               | 4.60        |        |        |        |
| 19        | Universal 2" / 63-mm Socket For Big Union             | 2  | Z-IM-UNI-2"/63      | SP-122        |               |               | 10.80       | 14.60  |        |        |
| 20        | Big Union Nut   | 2  | Z-IM-UNI-NUT        |               |               |               | 6.50        |        |        |        |
| 21        | UV Union Reducer 50-mm / 1.5"                         | 2  | SP-UV-R             |               |               |               | 4.85        |        |        |        |

| Item No.: | Description:  | Pcs/Unit:  | Product Code        |               |               |               | EUR RRP (€) |        |        |        |
|-----------|---|--|---------------------|---------------|---------------|---------------|-------------|--------|--------|--------|
|           |   |  | SST-36              | SST-50        | SST-75        | SST-95        | SST-36      | SST-50 | SST-75 | SST-95 |
| 1         | 36-kW Spiral H/E Tank (Half)                          | 2  | Z-IM-SHE-T-36       | Z-IM-SHE-T-50 | Z-IM-SHE-T-75 | Z-IM-SHE-T-95 | 36.05       | 42.26  | 70.89  | 75.84  |
| 2         | Spiral H/E End Coupling                               | 2  | Z-IM-SHE-EC         |               |               |               | 43.53       |        |        |        |
| 3         | 36-kW Titanium Spiral Tube Coil (Processed Ends)      | 1  | X-SHE-ST-36         | X-SHE-ST-50   | X-SHE-ST-75   | X-SHE-ST-95   | 167.27      | 264.90 | 384.33 | 425.33 |
| 4         | 36-kW Spiral Heat Exchanger Extruded Shell            | 1  | Z-SMW-SHE-36        | Z-SMW-SHE-50  | Z-SMW-SHE-75  | Z-SMW-SHE-95  | 26.11       | 29.56  | 34.85  | 37.61  |
| 5         | Spiral Heat Exchanger 316L S/S Nipple                 | 2  | Z-SHE-BN            |               |               |               | 26.74       |        |        |        |
| 6         | M4.8x19-mm S/S Socket Cap Self Tapping Screw          | 14 for SST-36; 18 for SST-50; 24 for SST-75; 30 for SST-95 | Z-FIX-M4.8X19STS-SC |               |               |               | 6.56        |        |        |        |
| 7         | Spiral H/E Front Bracket                              | 2  | Z-IM-SHE-FB         |               |               |               | 13.05       |        |        |        |
| 8         | Spiral H/E Rear Bracket                               | 2  | Z-IM-SHE-RB         |               |               |               | 26.11       |        |        |        |
| 9         | Spiral H/E Bolt Flange                                | 2  | Z-IM-SHE-BF         |               |               |               | 15.53       |        |        |        |
| 10        | M6 x 22mm S/S Socket Cap                              | 18   | Z-FIX-M6X22-SC      |               |               |               | 6.56        |        |        |        |
| 11        | Titanium Coil Heat Exchanger Rubber Dumper            | 4  | Z-IM-SHE-RD         |               |               |               | 26.11       |        |        |        |
| 12        | M6 S/S Cap Nut  | 18   | Z-FIX-M6CAP         |               |               |               | 6.56        |        |        |        |
| 13        | M3 x 8-mm Black Pozi Pan Screw                        | 2  | Z-FIX-M3X8-BLK      |               |               |               | 1.84        |        |        |        |
| 14        | Plastic Heat Exchanger O-Ring Seal ID22.6mm C/s 3.6mm | 2  | Z-ORS-PHE-22.6MM    |               |               |               | 4.03        |        |        |        |
| 15        | Plastic Heat Exchanger O-Ring Seal ID18.6mm C/s 3.6mm | 4  | Z-ORS-PHE-18.6MM    |               |               |               | 9.32        |        |        |        |
| 16        | SST End Cap Gasket (EPDM)                             | 2  | Z-IM-GSK-SST-EC     |               |               |               | 8.91        |        |        |        |
| 17        | SST Groove Gasket 700mm (EPDM)                        | 2  | Z-IM-GSK-SST-GG-700 |               |               |               | 15.53       |        |        |        |
| 18        | 56mm x 5.3mm Large Union O-Ring EPDM Shore 70         | 2  | SP-122-ORS          |               |               |               | 5.29        |        |        |        |
| 19        | Universal 2" / 63-mm Socket For Big Union             | 2  | Z-IM-UNI-2"/63      | SP-122        |               |               | 12.42       | 16.79  |        |        |
| 20        | Big Union Nut   | 2  | Z-IM-UNI-NUT        |               |               |               | 7.48        |        |        |        |
| 21        | UV Union Reducer 50-mm / 1.5"                         | 2  | SP-UV-R             |               |               |               | 5.58        |        |        |        |

| Item No.: | Description:  | Pcs/Unit:  | Product Code        |               |               |               | USD RRP (\$) |        |        |        |
|-----------|---|--|---------------------|---------------|---------------|---------------|--------------|--------|--------|--------|
|           |   |  | SST-36              | SST-50        | SST-75        | SST-95        | SST-36       | SST-50 | SST-75 | SST-95 |
| 1         | 36-kW Spiral H/E Tank (Half)                          | 2  | Z-IM-SHE-T-36       | Z-IM-SHE-T-50 | Z-IM-SHE-T-75 | Z-IM-SHE-T-95 | 43.89        | 51.45  | 86.30  | 92.33  |
| 2         | Spiral H/E End Coupling                               | 2  | Z-IM-SHE-EC         |               |               |               | 52.99        |        |        |        |
| 3         | 36-kW Titanium Spiral Tube Coil (Processed Ends)      | 1  | X-SHE-ST-36         | X-SHE-ST-50   | X-SHE-ST-75   | X-SHE-ST-95   | 203.63       | 322.49 | 467.88 | 517.79 |
| 4         | 36-kW Spiral Heat Exchanger Extruded Shell            | 1  | Z-SMW-SHE-36        | Z-SMW-SHE-50  | Z-SMW-SHE-75  | Z-SMW-SHE-95  | 31.78        | 35.98  | 42.42  | 45.78  |
| 5         | Spiral Heat Exchanger 316L S/S Nipple                 | 2  | Z-SHE-BN            |               |               |               | 32.55        |        |        |        |
| 6         | M4.8x19-mm S/S Socket Cap Self Tapping Screw          | 14 for SST-36; 18 for SST-50; 24 for SST-75; 30 for SST-95 | Z-FIX-M4.8X19STS-SC |               |               |               | 7.98         |        |        |        |
| 7         | Spiral H/E Front Bracket                              | 2  | Z-IM-SHE-FB         |               |               |               | 15.89        |        |        |        |
| 8         | Spiral H/E Rear Bracket                               | 2  | Z-IM-SHE-RB         |               |               |               | 31.78        |        |        |        |
| 9         | Spiral H/E Bolt Flange                                | 2  | Z-IM-SHE-BF         |               |               |               | 18.90        |        |        |        |
| 10        | M6 x 22mm S/S Socket Cap                              | 18   | Z-FIX-M6X22-SC      |               |               |               | 7.98         |        |        |        |
| 11        | Titanium Coil Heat Exchanger Rubber Dumper            | 4  | Z-IM-SHE-RD         |               |               |               | 31.78        |        |        |        |
| 12        | M6 S/S Cap Nut  | 18   | Z-FIX-M6CAP         |               |               |               | 7.98         |        |        |        |
| 13        | M3 x 8-mm Black Pozi Pan Screw                        | 2  | Z-FIX-M3X8-BLK      |               |               |               | 2.24         |        |        |        |
| 14        | Plastic Heat Exchanger O-Ring Seal ID22.6mm C/s 3.6mm | 2  | Z-ORS-PHE-22.6MM    |               |               |               | 4.90         |        |        |        |
| 15        | Plastic Heat Exchanger O-Ring Seal ID18.6mm C/s 3.6mm | 4  | Z-ORS-PHE-18.6MM    |               |               |               | 11.34        |        |        |        |
| 16        | SST End Cap Gasket (EPDM)                             | 2  | Z-IM-GSK-SST-EC     |               |               |               | 10.85        |        |        |        |
| 17        | SST Groove Gasket 700mm (EPDM)                        | 2  | Z-IM-GSK-SST-GG-700 |               |               |               | 18.90        |        |        |        |
| 18        | 56mm x 5.3mm Large Union                              | 2  | SP-122-ORS          |               |               |               | 6.44         |        |        |        |
| 19        | Universal 2" / 63-mm Socket For                       | 2  | Z-IM-UNI-2"/63      |               | SP-122        |               | 15.12        |        | 20.44  |        |
| 20        | Big Union Nut   | 2  | Z-IM-UNI-NUT        |               |               |               | 9.10         |        |        |        |
| 21        | UV Union Reducer 50-mm / 1.5"                         | 2  | SP-UV-R             |               |               |               | 6.79         |        |        |        |



**ELECRO**  
ENGINEERING

Improving pools *globally*

11 Gunnels Wood Park, Gunnels Wood Road,  
Stevenage, Hertfordshire, SG1 2BH, UK

Tel: +44 1438 749 474  
Email: [sales@elecro.co.uk](mailto:sales@elecro.co.uk)  
Web: [www.elecro.co.uk](http://www.elecro.co.uk)

We reserve the right to change all or part of the features of the articles  
or contents of this document, without prior notice.

SPL196-EN-SST Spare Parts List V3-01.01.2023-Elecro