

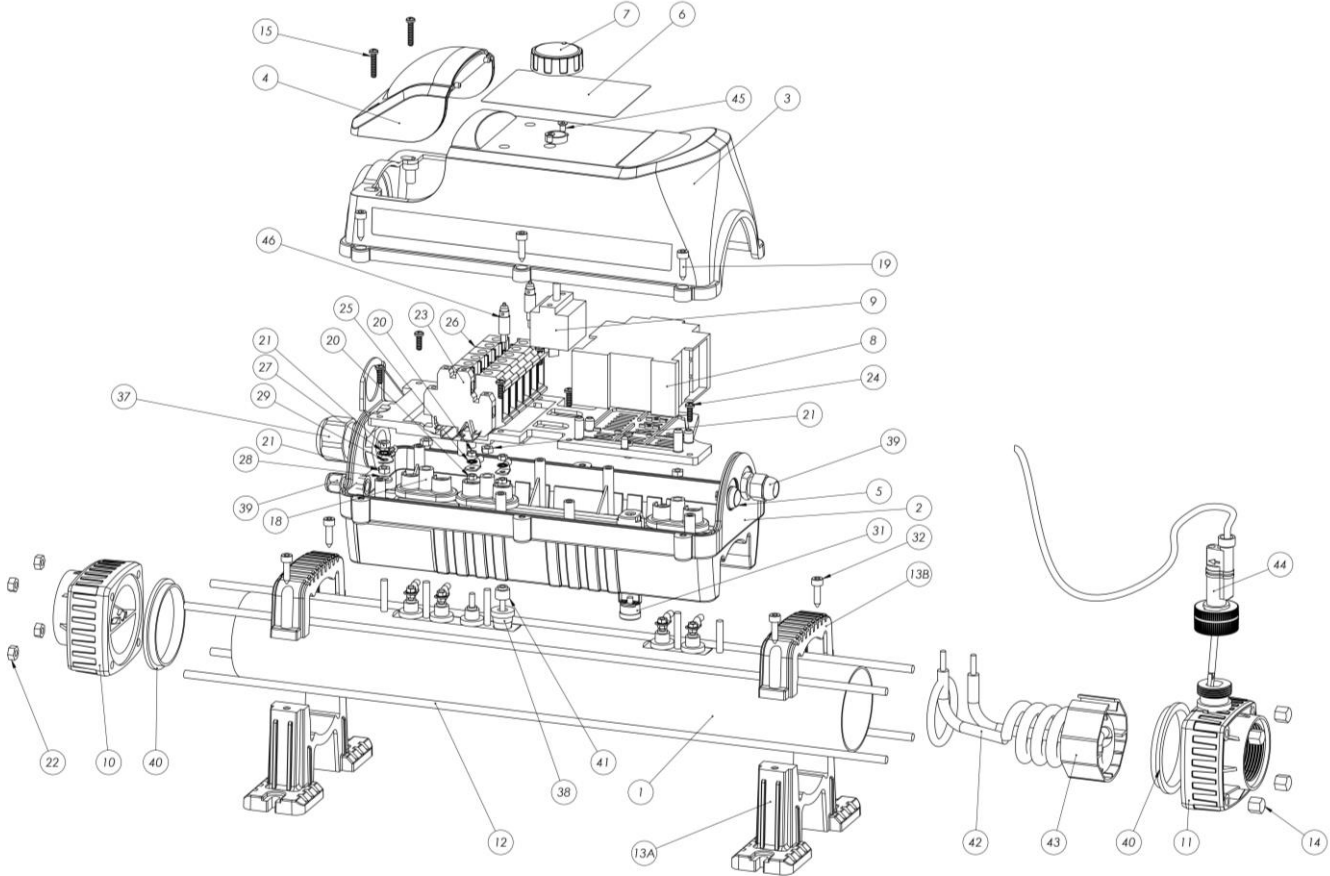
Evolution 2

SPARE PART LISTS

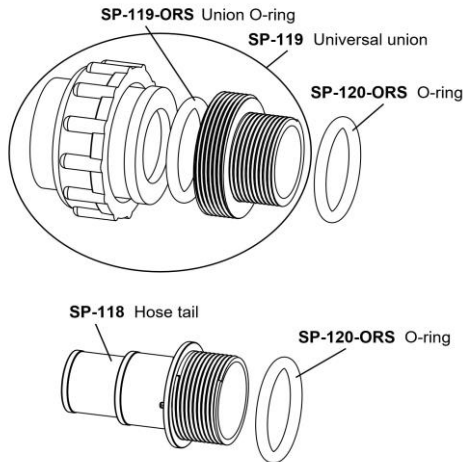


ELECR
ENGINEERING

Evo 2 Analogue



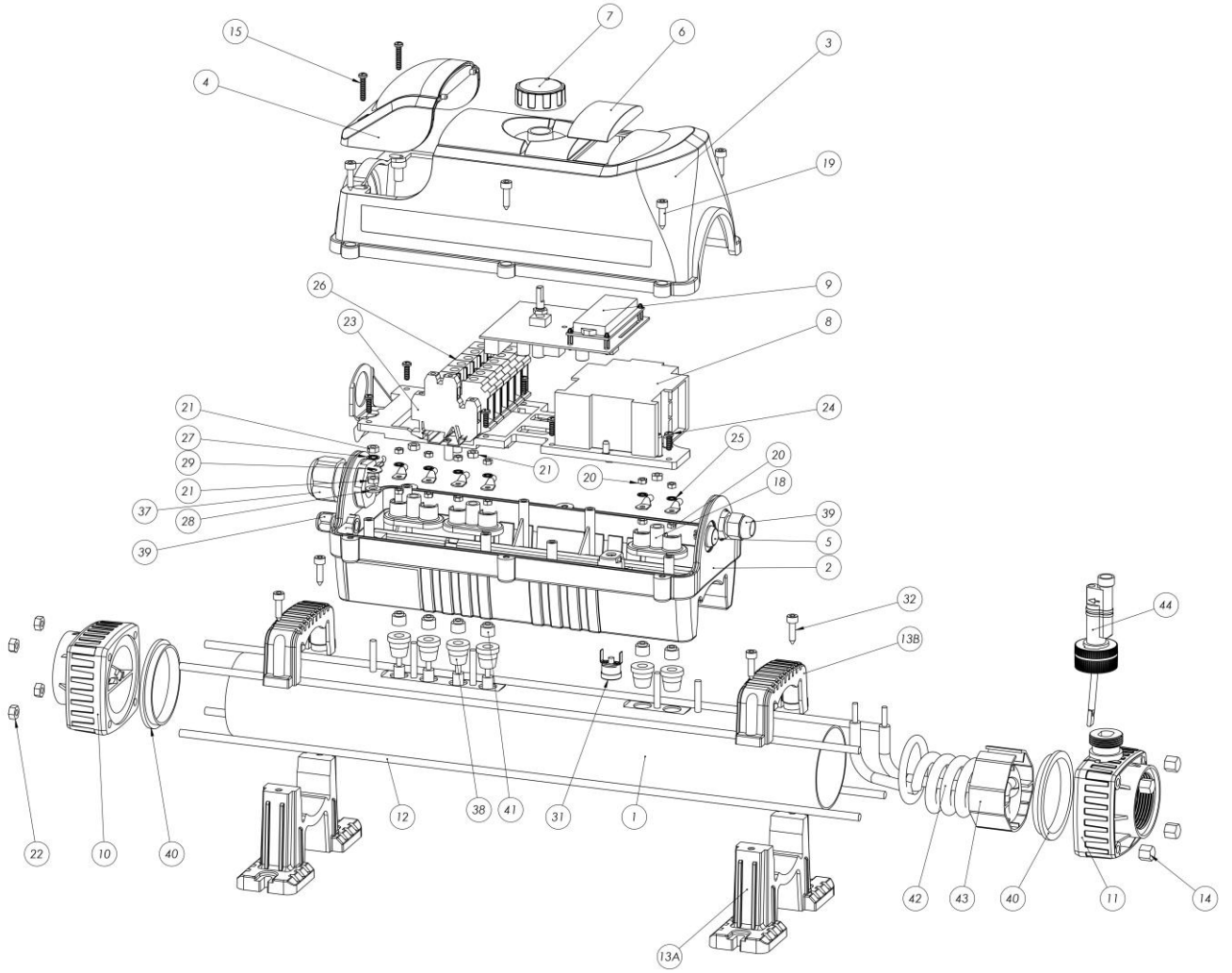
Water connections:



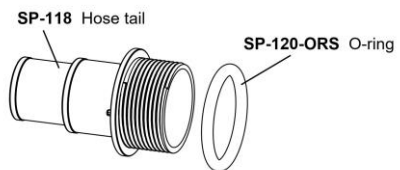
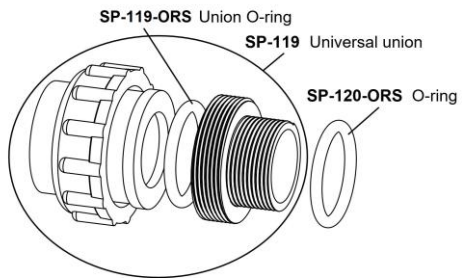
Item No.:	Description:	Power Output:	Pcs/Unit:	Part Code:	GBP RRP (£)	EUR RRP (€)	USD RRP (\$)
1	Flow tube	All	1	See Table 2	-	-	-
2	Electrical Enclosure Base	All	1	Z-IM-E2-BC	21.65	24.90	30.31
3	Analogue Front Cover	All	1	Z-IM-E2-ANA-TC	29.75	34.21	41.65
4	Electrical Access Cover	All	1	Z-IM-E2-AC	8.10	9.32	11.34
5	Test Button	All	1	Z-MIS-PBS	10.30	11.85	14.42
6	Ops Panel Overlay	All	1	Z-LAB-EVO2	10.00	11.50	14.00
7	Control Thermostat Dial	All	1	Z-IM-OC-ANA	8.10	9.32	11.34
8	Contactor	up to 18-kW 3-Phase 400V up to 9-kW 3-Phase 230V	1	SP-SIE-2023-40A	73.25	84.24	102.55
		24-kW 3-Phase 400V 12, 15 & 18-kW 3-Phase 230V	1	SP-SIE-2027-50A	144.95	166.69	202.93
9	Analogue Control Thermostat	All	1	SP-MIS-CS-E2	45.15	51.92	63.21
10	Left End Fitting (NON F/S)	All	1	SP-117	26.50	30.48	37.10
11	Right End Fitting (F/S)	All	1	SP-117B	26.50	30.48	37.10
12	M6 Tie Bar	up to 12-kW Single Phase 230V	4	Z-STU-443	9.75	11.21	13.65
		15-kW & 18-kW Single Phase All 3-Phase	4	Z-STU-573	10.80	12.42	15.12
13A	Foot Lower	All	2	Z-IM-E2-FL	12.45	14.32	17.43
13B	Foot Upper	All	2	Z-IM-E2-FU	5.40	6.21	7.56
14	M6 Dome / Cap Nut	All	4	Z-FIX-M6CAP	5.70	6.56	7.98
15	M4x25 Pozi Pan Screw	All	2	Z-FIX-M4x25	1.65	1.90	2.31
18	Element Bridge	up to 6-kW Single Phase	1	Z-IM-EL-BRI	5.40	6.21	7.56
		9-kW & 12-kW Single Phase	2				
		15-kW & 18-kW Single Phase All 3-Phase	3				
19	Enclosure Screws	All	7	Z-FIX-M4.8x19STS-SC	5.70	6.56	7.98
20	M4 Hex Nut	up to 6-kW Single Phase	2	Z-FIX-M4HEX	4.35	5.0025	6.09
		9-kW & 12-kW Single Phase	4				
		15-kW & 18-kW Single Phase All 3-Phase	6				
21	M5 Hex Nut	up to 6-kW Single Phase	1	Z-FIX-M5HEX	5.70	6.56	7.98
		9-kW & 12-kW Single Phase	2				
		15-kW & 18-kW Single Phase All 3-Phase	3				
22	M6 Hex Nut	All	4	Z-FIX-M6HEX	5.70	0.00	7.98
23	RCD Terminal Block With Resistor	All	1	Z-MIS-TB-RCD	6.75	7.76	9.45
24	M4x12 Pozi Pan Screw	All	9	Z-FIX-M4x25	1.65	1.90	2.31
25	M4 Locking Washer	up to 6-kW Single Phase	2	Z-FIX-M4LW	1.65	1.90	2.31
		9-kW & 12-kW Single Phase	4				
		15-kW & 18-kW Single Phase All 3-Phase	6				
26	Terminal Block	All Single Phase	3	Z-MIS-TB-130A	18.65	21.45	26.11
		All 3-Phase	5				
		All Versatile	6				
27	M5 Locking Washer	All	2	Z-FIX-M5LW	5.70	6.56	7.98
28	M6 Flat Washer	All	2	Z-FIX-M6FW	5.70	6.56	7.98
29	Earth Terminal	All	2	Z-CON-YR53	7.85	9.03	10.99
31	Auto Button Stat	All	1	Z-MIS-BS-60-40-NO	10.00	11.50	14.00
32	Foot Screws	All	4	Z-FIX-M4.8x19STS-SC	5.70	6.56	7.98
38	Element Ferrule (2pcs per Kit/Element)	up to 6-kW Single Phase	2	Z-IM-EL-FER	8.10	9.32	11.34
		9-kW & 12-kW Single Phase	4				
		15-kW & 18-kW Single Phase All 3-Phase	6				
37	PG-21 Cable Entry Gland (Inc Back Nut)	All	1	Z-CON-CEG-PG21BK + Z-CON-CEG-PG21NUT	18.65	21.45	26.11
39	PG-7 Cable Entry Gland (Inc Back Nut)	All	1	Z-CON-CEG-PG7BK	7.55	8.68	10.57
40	End Fitting Gasket (pack of 2 pcs)	All	2	SP-117-GSK	7.55	8.68	10.57
41	Element Stepped Washer (2pcs per Kit)	up to 6-kW Single Phase	2	Z-IM-EL-SW	2.15	2.47	3.01
		9-kW & 12-kW Single Phase	4				
		15-kW & 18-kW Single Phase All 3-Phase	6				
42	Heating Element	All	1, 2, 3	See Table 3		-	
43	Element Support (1pc per kit)	up to 6-kW Single Phase	2	Z-IM-EL-SUP	5.40	6.21	7.56
		9-kW & 12-kW Single Phase	4				
		15-kW & 18-kW Single Phase All 3-Phase	6				
44	Flow Switch	up to 3-kW	1	SP-107-A	41.90	48.19	40.69
		4-kW to 6-kW	1	SP-107-B	41.90	48.19	40.69
		9-kW & greater	1	SP-107-C	41.90	48.19	40.69
45	M4x6mm Screw	All	2	Z-FIX-M4X6CS	1.65	1.90	1.58
46	Neon Indicator Lamp	All	1	Z-MIS-NEON	5.40	6.21	5.25

1.5" BSP Hose Tail for 1.5"/1.25" Flexible Pipe	All	2	SP-118	11.35	13.05	11.03
1.5" BSP Universal Union for 1.5"/50-mm Pipe	All	2	SP-119	17.30	19.90	16.8
O-Rings (pack of 2 pcs)	All	2	SP-120-ORS	2.15	2.47	2.1
44mm x 6mm Union O-Ring (pack of 2 pcs)	All	2	SP-119-ORS	8.10	9.32	7.88

Evo 2 Digital



Water connections:



Item No.:	Description:	Power Output:	Pcs/Unit:	Part Code:	GBP RRP (£)	EUR RRP (€)	USD RRP (€)
1	Flow tube	All	1	See Table 2	-	-	-
2	Electrical Enclosure Base	All	1	Z-IM-E2-BC	21.65	24.90	30.31
3	Digital Front Cover	All	1	Z-IM-E2-DIG-TC	29.75	34.21	41.65
4	Electrical Access Cover	All	1	Z-IM-E2-AC	8.10	9.32	11.34
5	Test Button	All	1	Z-MIS-PBS	10.25	11.79	14.35
6	Window	All	1	Z-IM-E2-W	9.20	10.58	12.88
7	Control Thermostat Dial	All	1	Z-IM-OC-ANA	8.10	9.32	11.34
8	Contactor	up to 18-kW 3-Phase 400V up to 9-kW 3-Phase 230V	1	SP-SIE-2023-40A	73.25	84.24	102.55
		24-kW 3-Phase 400V 12, 15 & 18-kW 3-Phase 230V	1	SP-SIE-2027-50A	144.90	166.64	202.86
9	PCB Digital Thermostat Board	All	1	SP-PCB-BUD-EVO2	163.05	187.51	228.27
10	Left End Fitting (NON F/S)	All	1	SP-117	26.50	30.48	37.10
11	Right End Fitting (F/S)	All	1	SP-117B	26.50	30.48	37.10
12	M6 Tie Bar	up to 12-kW Single Phase 230V	4	Z-STU-443	9.75	11.21	13.65
		15-kW & 18-kW Single Phase All 3-Phase	4	Z-STU-573	10.80	12.42	15.12
13A	Foot Lower	All	2	Z-IM-E2-FL	12.45	14.32	17.43
13B	Foot Upper	All	2	Z-IM-E2-FU	5.40	6.21	7.56
14	M6 Dome / Cap Nut	All	4	Z-FIX-M6CAP	5.70	6.56	7.98
15	M4x25 Pozzi Pan Screw	All	2	Z-FIX-M4x25	1.60	1.84	2.24
18	Element Bridge	up to 6-kW Single Phase 9-kW & 12-kW Single Phase 15-kW & 18-kW Single Phase All 3-Phase	1	Z-IM-EL-BRI	5.40	6.21	7.56
			2				
			3				
19	Enclosure Screws	All	7	Z-FIX-M4.8x19STS-SC	5.70	6.56	7.98
20	M4 Hex Nut	up to 6-kW Single Phase 9-kW & 12-kW Single Phase 15-kW & 18-kW Single Phase All 3-Phase	2	Z-FIX-M4HEX	4.30	4.95	6.02
			4				
			6				
21	M5 Hex Nut	up to 6-kW Single Phase 9-kW & 12-kW Single Phase 15-kW & 18-kW Single Phase All 3-Phase	1	Z-FIX-M5HEX	5.50	6.33	7.70
			2				
			3				
22	M6 Hex Nut	All	4	Z-FIX-M6HEX	5.70	6.56	7.98
23	RCD Terminal Block With Resistor	All	1	Z-MIS-TB-RCD	6.75	7.76	9.45
24	M4x12 Pozzi Pan Screw	All	9	Z-FIX-M4x25	1.60	1.84	2.24
25	M4 Locking Washer	up to 6-kW Single Phase 9-kW & 12-kW Single Phase 15-kW & 18-kW Single Phase All 3-Phase	2	Z-FIX-M4LW	1.60	1.84	2.24
			4				
			6				
26	Terminal Block	All Single Phase All 3-Phase All Versatile	3	Z-MIS-TB-130A	18.65	21.45	26.11
			5				
			6				
27	M5 Locking Washer	All	2	Z-FIX-M5LW	5.70	6.56	7.98
28	M6 Flat Washer	All	2	Z-FIX-M6FW	5.70	6.56	7.98
29	Earth Terminal	All	2	Z-CON-YR53	7.85	9.03	10.99
31	Auto Button Stat	All	1	Z-MIS-BS-60-40-NO	10.00	11.50	14.00
32	Foot Screws	All	4	Z-FIX-M4.8x19STS-SC	5.70	6.56	7.98
37	PG-21 Cable Entry Gland (Inc Back Nut)	All	1	Z-CON-CEG-PG21BK + Z-CON-CEG-PG21NUT	18.65	21.45	26.11
38	Element Ferrule (2pcs per Kit/Element)	up to 6-kW Single Phase 9-kW & 12-kW Single Phase 15-kW & 18-kW Single Phase All 3-Phase	2	Z-IM-EL-FER	8.10	9.32	11.34
			4				
			6				
39	PG-7 Cable Entry Gland (Inc Back Nut)	All	1	Z-CON-CEG-PG97K	7.55	8.68	10.57
40	End Fitting Gasket (pack of 2 pcs)	All	2	SP-117-GSK	7.55	8.68	10.57
41	Element Stepped Washer (2pcs per Kit)	up to 6-kW Single Phase 9-kW & 12-kW Single Phase 15-kW & 18-kW Single Phase	2	Z-IM-EL-SW	2.15	2.47	3.01
			4				
			6				
42	Heating Element	All	1, 2, 3	See Table 3	-	-	0.00
43	Element Support (1pc per kit)	up to 6-kW Single Phase 9-kW & 12-kW Single Phase 15-kW & 18-kW Single Phase All 3-Phase	2	Z-IM-EL-SUP	5.40	6.21	7.56
			4				
			6				
44	Flow Switch	up to 3-kW	1	SP-107-A	41.90	48.19	58.66
		4-kW to 6-kW	1	SP-107-B	41.90	48.19	58.66
		9-kW & greater	1	SP-107-C	41.90	48.19	58.66
1.5" BSP Hose Tail for 1.5"/1.25" Flexible Pipe		All	2	SP-118	11.35	13.05	15.89
1.5" BSP Universal Union for 1.5"/50-mm Pipe		All	2	SP-119	17.30	19.90	24.22
O-Rings (pack of 2 pcs)		All	2	SP-120-ORS	2.15	2.47	3.01
44mm x 6mm Union O-Ring (pack of 2 pcs)		All	2	SP-119-ORS	8.10	9.32	11.34

Table 1. Replacement tank assemblies

Single Phase Power Output:	Titanium Flow tube with Titanium Heating Element Part Code:	GBP RRP (£)	EUR RRP (€)	USD RRP (\$)	Description:
2-kW	SP-TA-2-Ti	299.85	344.83	419.79	2-kW 370-mm Replacement Tank Assembly
3-kW	SP-TA-3-Ti	309.85	356.33	433.79	3-kW 370-mm Replacement Tank Assembly
4.5-kW	SP-TA-4.5-Ti	320.10	368.12	448.14	4.5-kW 370-mm Replacement Tank Assembly
6-kW	SP-TA-6-Ti-1P	330.15	379.67	462.21	6-kW 370-mm Replacement Tank Assembly
9-kW	SP-TA-9-Ti-1P	358.80	412.62	502.32	9-kW 370-mm Replacement Tank Assembly
12-kW	SP-TA-12-Ti-1P	368.80	424.12	516.32	12-kW 370-mm Replacement Tank Assembly
15-kW	SP-TA-15-Ti	441.00	507.15	617.40	15-kW 500-mm Replacement Tank Assembly
18-kW	SP-TA-18-Ti	445.85	512.73	624.19	18-kW 500-mm Replacement Tank Assembly
3-Phase Power Output:	Titanium Flow tube with Titanium Heating Element Part Code:	GBP RRP (£)	EUR RRP (€)	USD RRP (\$)	Description:
6-kW	SP-TA-6-Ti-3P	425.85	489.73	596.19	6-kW 500-mm Replacement Tank Assembly
9-kW	SP-TA-9-Ti-3P	430.70	495.31	602.98	9-kW 500-mm Replacement Tank Assembly
12-kW	SP-TA-12-Ti-3P	435.85	501.23	610.19	12-kW 500-mm Replacement Tank Assembly
15-kW	SP-TA-15-Ti	441.00	507.15	617.40	15-kW 500-mm Replacement Tank Assembly
18-kW	SP-TA-18-Ti	445.85	512.73	624.19	18-kW 500-mm Replacement Tank Assembly
24-kW	SP-TA-24-Ti-3P	522.90	601.34	732.06	24-kW 500-mm Replacement Tank Assembly

Table 2 . Replacement flow tubes

Description:	Power Output:	Pcs/Unit:	Titanium Part Code:	GBP RRP (£)	EUR RRP (€)	USD RRP (\$)
Flow tube	up to 6-kW Single Phase	1	X-TUB-TI370-1E	121.95	140.24	170.73
	9-kW & 12-kW Single Phase		X-TUB-TI370-2E	121.95	140.24	170.73
	15, 18-kW Single Phase All 3-Phase		X-TUB-TI500-3E	162.50	186.88	227.50

Table 3. Replacement heating elements

Single Phase Power Output:	Titanium Heating Element Part Code:	GBP RRP (£)	EUR RRP (€)	USD RRP (\$)	Pcs/Unit:	Description:
2-kW	SP-EL-Ti2KW7T	121.40	139.61	169.96	1	2-kW Replacement Heating Element Kit
3-kW	SP-EL-Ti2.8KW7T	128.70	148.01	180.18	1	2.8-kW Replacement Heating Element Kit
4.5-kW	SP-EL-Ti4.5KW7T	134.90	155.14	188.86	1	4.5-kW Replacement Heating Element Kit
6-kW	SP-EL-Ti6KW7T	145.20	166.98	203.28	1	6-kW Replacement Heating Element Kit
9-kW	SP-EL-Ti4.5KW7T	134.90	155.14	188.86	2	4.5-kW Replacement Heating Element Kit
12-kW	SP-EL-Ti6KW7T	145.20	166.98	203.28	2	6-kW Replacement Heating Element Kit
15-kW	SP-EL-Ti5KW7T	140.05	161.06	196.07	3	5-kW Replacement Heating Element Kit
18-kW	SP-EL-Ti6KW7T	145.20	166.98	203.28	3	6-kW Replacement Heating Element Kit
3-Phase Power Output:	Titanium Heating Element Part Code:	GBP RRP (£)	EUR RRP (€)	USD RRP (\$)	Pcs/Unit:	Description:
6-kW	SP-EL-Ti2KW7T	121.40	139.61	169.96	3	2-kW Replacement Heating Element Kit
9-kW	SP-EL-Ti2.8KW7T	128.70	148.01	180.18	3	2.8-kW Replacement Heating Element Kit
12-kW	SP-EL-Ti4KW7T	132.45	152.32	185.43	3	4-kW Replacement Heating Element Kit
15-kW	SP-EL-Ti5KW7T	140.05	161.06	196.07	3	5-kW Replacement Heating Element Kit
18-kW	SP-EL-Ti6KW7T	145.20	166.98	203.28	3	6-kW Replacement Heating Element Kit
24-kW	SP-EL-Ti8KW7T	156.30	179.75	218.82	3	8-kW Replacement Heating Element Kit



ELECR0
ENGINEERING

Improving pools *globally*

11 Gunnels Wood Park, Gunnels Wood Road,
Stevenage, Hertfordshire, SG1 2BH, UK

Tel: +44 1438 749 474

Email: sales@elecra.co.uk

Web: www.elecra.co.uk

We reserve the right to change all or part of the features of the articles
or contents of this document, without prior notice.

SPL16-EN-EVO2 SPARE PARTS LIST V4-01.01.2023