

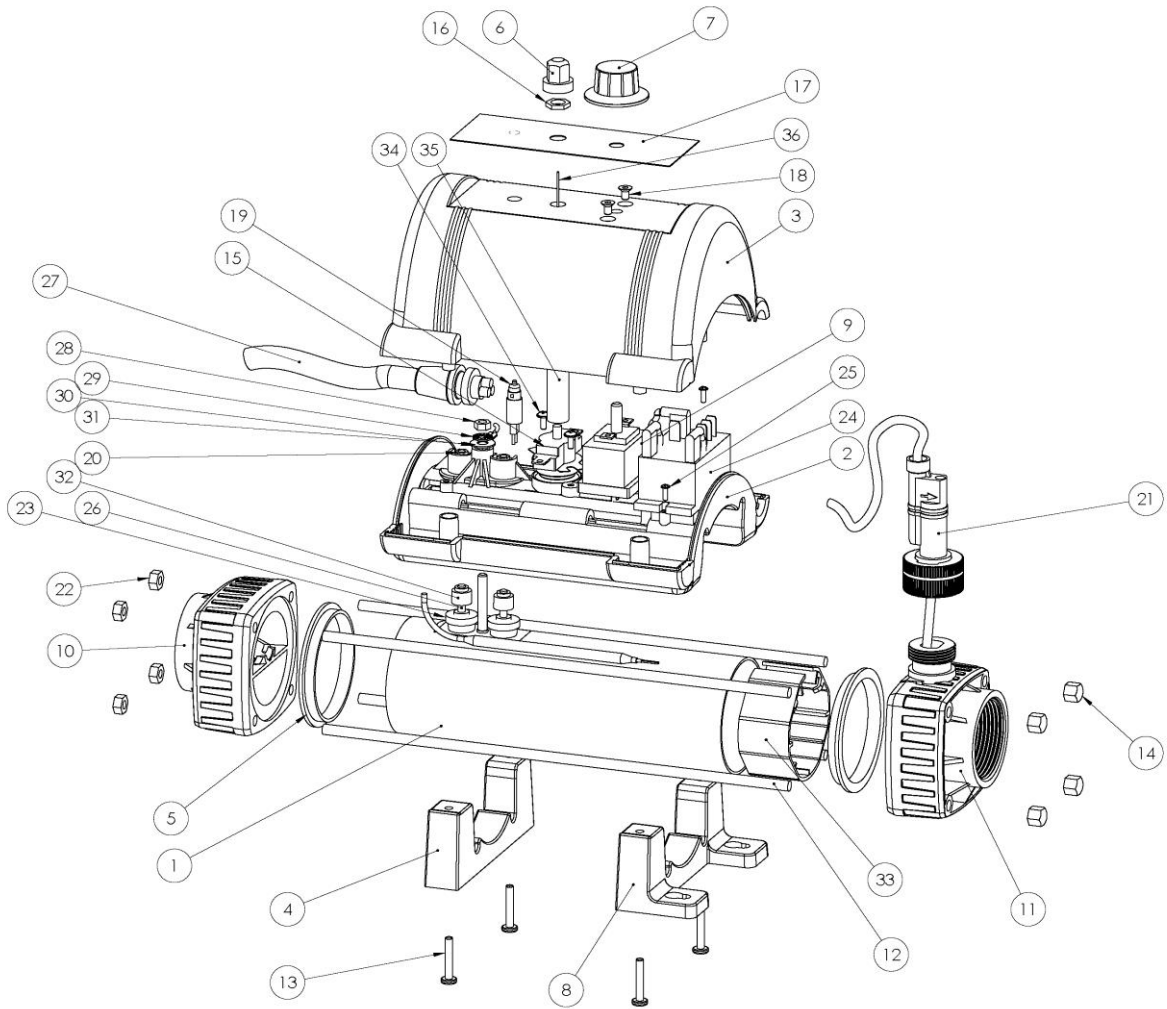
# Nano SPA

## SPARE PART LISTS

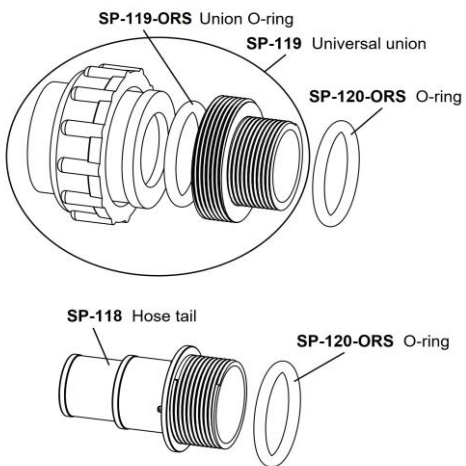


**ELECRO**  
ENGINEERING

# Nano SPA



## Water connections:



Item No.:	Description:	Pcs/Unit:	Part Number:	GBP RRP (£)	EUR RRP (€)	USD RRP (£)
1	Titanium Flow Tube		X-TUB-TI200-1E	112.75	129.66	157.85
2	Electrical Bottom Cover / Bridge	1	Z-IM-NO-BC	19.75	22.71	27.65
3	Electrical Top Cover	1	Z-IM-NO-TC-BLU	29.45	33.87	41.23
4	Lower Foot (Without Key Hole Hooks)	1	Z-IM-NO-FL	16.50	18.98	23.10
5	TPE End Fitting Gasket	2	SP-117-GSK	7.55	8.68	10.57
6	Thermal Safety Cut-Out Cover	1	Z-MIS-HLS-CVR	7.85	9.03	10.99
7	Control Thermostat Dial	1	Z-MIS-CS-DIAL	3.80	4.37	5.32
8	Upper Foot (With Key Hole Hooks)	1	Z-IM-NO-FU	22.15	25.47	31.01
9	Control Thermostat	1	SP-MIS-CS	45.15	51.92	63.21
10	Left End Fitting (Non F/S)	1	SP-117	26.50	30.48	37.10
11	Right End Fitting (F/S)	1	SP-117B	26.50	30.48	37.10
12	273-mm M6 Tie Bar	4	Z-STU-273	8.65	9.95	12.11
13	M4 x 25-mm Zinc Coated Pozi Pan Screw	4	Z-FIX-M4X25	4.35	5.00	6.09
14	M6 Cap Nut	4	Z-FIX-M6CAP	5.70	6.56	7.98
15	Thermal Safety Cut Out (Manual	1	Z-MIS-BS-60-50	20.00	23.00	28.00
16	M8 Hex Nut (For Thermal Cut Out)	1	Supplied with #15	-	-	
17	Nano SPA Ops Panel Overlay	1	Z-LAB-N-SPA	8.90	10.24	12.46
18	M4 x 6-mm S/S CSK	2	Z-FIX-M4X6CS	1.60	1.84	2.24
19	Neon Indicator Lamp	1	Z-MIS-NEON	5.40	6.21	7.56
20	M4 Hex Nut	2	Z-FIX-M4HEX	4.35	5.00	6.09
21	Nano Flow Switch	1	SP-107-N-S	41.90	48.19	58.66
22	M6 S/S Hex Nut	4	Z-FIX-M6HEX	5.70	6.56	7.98
23	EPDM Element Ferrule	2	Z-IM-EL-FER	8.10	9.32	11.34
24	Surface Mount Relay	1	SP-109	28.40	32.66	39.76
25	M3 x 14 -mm FLG Pozi Zinc Coated	2	Z-FIX-M3X12-FLG	1.60	1.84	2.24
26	Heating Element	1	Refer to Table 1	-	-	
27	Power Supply Lead	1	X-CAB-N-SPA-R	31.35	36.05	43.89
28	M5 S/S Full Hex Nut	1	Z-FIX-M5HEX	5.70	6.56	7.98
29	M5 S/S Locking Washer	1	Z-FIX-M5LW	5.70	6.56	7.98
30	Earth Ring Terminal	1	Z-CON-YR53	7.85	9.03	10.99
31	M5 S/S Half Hex Nut	1	Z-FIX-M5HEX-N	5.70	6.56	7.98
32	Stepped Element Washer	2	Z-IM-EL-SW	2.15	2.47	3.01
33	Element Support	1	Z-IM-EL-SUP	5.40	6.21	7.56
34	M3 x 8 -mm FLG Pozi Zinc Coated	2	Z-FIX-M3X8FLG	1.95	2.24	2.73
35	Button Stat Holder	1	Z-MIS-N-BSH	11.90	13.69	16.66
36	Resetting pin	1	Z-MIS-N-RS	2.70	3.11	3.78
*	Nano Element Fixing Kit (Comprising of: 2x20, 2x23, 1x28, 1x29, 1x31, 2x32 & 1x33)	1	SP-EL-FIX-NANO	12.15	13.97	17.01

1.5" BSP Hose Tail for 1.5/1.25" Flexible Pipe	2	SP-118	11.35	13.05	15.89
1.5" BSP Universal Union for 1.5"/50-mm Pipe	2	SP-119	17.30	19.90	24.22
O-Rings (pack of 2 pcs)	2	SP-120-ORS	2.15	2.47	3.01
44mm x 6mm Union O-Ring (pack of 2pcs)	2	SP-119-ORS	8.10	9.32	11.34

**Table 1. Replacement Heating Elements**

Product Code:	Part Code:	GBP RRP (£)	EUR RRP (€)	USD RRP (\$)	No.	Description:
N-SPA-T1-R	SP-EL-Ti1KW7T	114.65	131.85	160.51	1	1-kW Titanium Heating
N-SPA-T2-R	SP-EL-Ti2KW7T	121.40	139.61	169.96	1	2-kW Titanium Heating
N-SPA-T3-R	SP-EL-Ti2.8KW7T	128.70	148.01	180.18	1	3-kW Titanium Heating
N-SPA-T4-R	SP-EL-Ti4KW7T	132.45	152.32	185.43	1	4-kW Titanium Heating
N-SPA-T4.5-R	SP-EL-Ti4.5KW7T	134.90	155.14	188.86	1	4.5-kW Titanium
N-SPA-T5-R	SP-EL-Ti5KW7T	140.05	161.06	196.07	1	5-kW Titanium Heating
N-SPA-T6-R	SP-EL-Ti6KW7T	145.20	166.98	203.28	1	6-kW Titanium Heating
N-SPA-T8-R	SP-EL-Ti8KW7T	156.30	179.75	218.82	1	8-kW Titanium Heating

## Improving pools *globally*

11 Gunnels Wood Park, Gunnels Wood Road,  
Stevenage, Hertfordshire, SG1 2BH, UK

Tel: +44 1438 749 474

Email: [sales@elecro.co.uk](mailto:sales@elecro.co.uk)

Web: [www.elecro.co.uk](http://www.elecro.co.uk)

We reserve the right to change all or part of the features of the articles  
or contents of this document, without prior notice.

SPL106-EN-NANO SPA SPARE PARTS LIST V3-01.01.2023-ELECRO