

NANO SPA

(ALL TITANIUM)

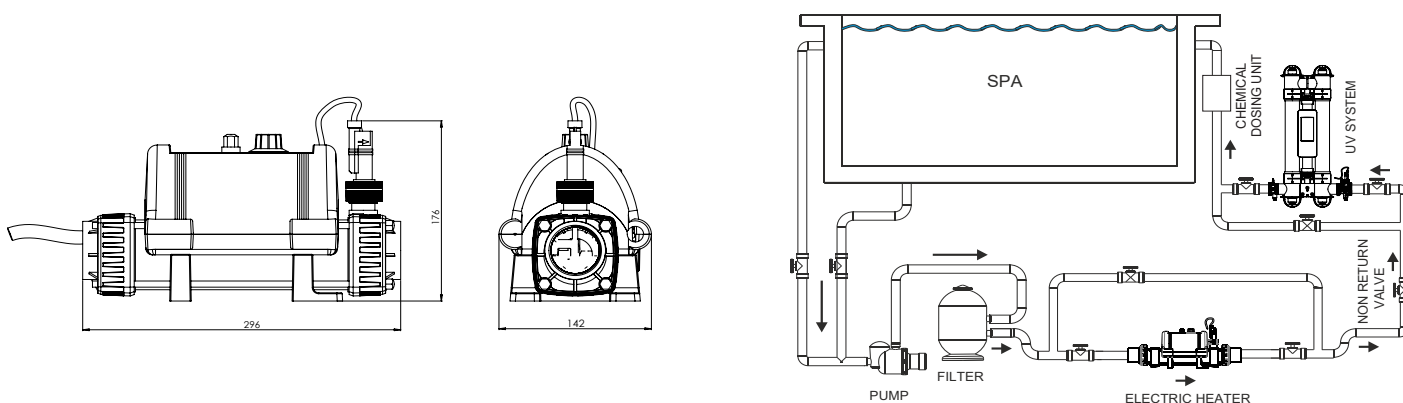
Provides efficiency, safety and above all reliability to effortlessly heat your water to the desired temperature, the Nano SPA heater is an ideal solution for spas.



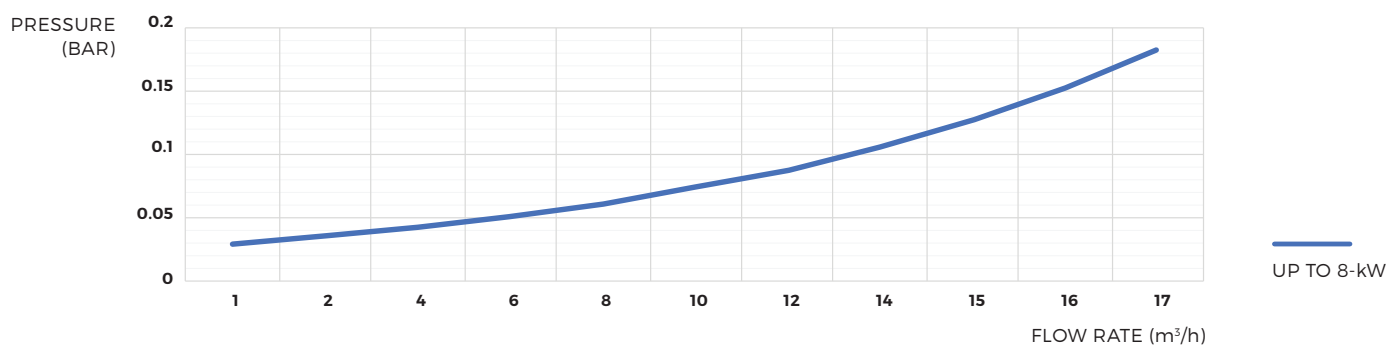
FEATURES

- Available in 8 sizes from 1-kW up to 8-kW
- Easy installation, fully equipped and pre-wired
- Robust, durable construction
- Ultra-reliable flow switch allows safe operation
- Supplied with temperature thermostat and overheating sensor
- Compact, durable design
- Analogue control with 1.2°C differential
- Titanium flow tube and titanium heating element
- Can be floor or vertically wall mounted
- Vortex, long life, stay clean heating element technology
- 100% efficiency throughout the product life
- Silent operation

TECHNICAL DRAWINGS



PRESSURE DROP



SPECIFICATIONS

POWER SUPPLY	220-240V single phase, 380-415V three phase
FLOW REQUIREMENTS	Minimum flow: 1m ³ /h Maximum flow: 17m ³ /h
HEATING ELEMENT	Grade 1 titanium
FLOW TUBE	Grade 1 titanium
CONTROL THERMOSTAT	Analogue: 0 > 45°C (1.2°C differential)
SAFETY THERMAL CUT OUT	60°C (manual reset)
FLOW SWITCH	Rhodium tipped reed switch with titanium fulcrum pin
RELAY	Surface mount DPDT Finder 66.82.8.230.0000
SEALS	High temperature special formula EPDM ferrules, TPE end fitting gaskets
WATER CONNECTIONS	1.5" BSP female thread supplied with 1½" / 50mm stepped ABS unions for rigid pipe and 1½" / 1¼" stepped hose tails for flexible pipe
INTERNATIONAL PROTECTION MARKING	IP44
FREQUENCY	50/60 Hz
WORKING PRESSURE	4 bar maximum
MOUNTING	Floor or wall mounting

MODELS

220-240V 1-PHASE	LOAD	PRODUCT CODES	NET WEIGHT	GROSS WEIGHT	VOLUME
Power Output	Amp		kg	kg	m ³
1-kW	4.5	N-SPA-T1-R	2.83	3.54	0.0195
2-kW	8.5	N-SPA-T2-R	2.83	3.54	0.0195
3-kW	12	N-SPA-T3-R	2.83	3.54	0.0195
4-kW	18	N-SPA-T4-R	2.83	3.54	0.0195
4.5-kW	20	N-SPA-T4.5-R	2.83	3.54	0.0195
5-kW	22	N-SPA-T5-R	2.83	3.54	0.0195
6-kW	26	N-SPA-T6-R	2.83	3.54	0.0195

400V 3-PHASE *					
8-kW	20	N-SPA-T8-R	2.83	3.54	0.0195

* for voltages other than 400V please add: -380 or -415 at the end of a product code e.g: N-SPA-T8-R-380

For any other voltages or custom builds, please contact our sales teamsales@elecro.co.uk